

## OVERVIEW

The SM5010 series are crystal oscillator module ICs, that incorporate oscillator and output buffer circuits. High-frequency capacitors and feedback resistors are built-in, eliminating the need for external components to make a stable fundamental-harmonic oscillator.

## FEATURES

- Inverter amplifier feedback resistor built-in
- Capacitors  $C_G$ ,  $C_D$  built-in
- Standby function
- Power-save pull-up resistor built-in (5010CL×)
- 16 mA ( $V_{DD} = 4.5$  V) drive capability (5010AN×, AK×, BN×, BK×, CL×, DN×)
- 4 mA ( $V_{DD} = 4.5$  V) drive capability (5010AH×, BH×)
- Output three-state function
- 2.7 to 5.5 V supply voltage
- Oscillator frequency output ( $f_0$ ,  $f_0/2$ ,  $f_0/4$ ,  $f_0/8$  determined by internal connection)
- 8-pin SOP (SM5010×××S)
- Chip form (CF5010×××)

## SERIES CONFIGURATION

Version <sup>1</sup>	Output frequency	3V operating		5V operating			$R_D$ [Ω]	Built-in capacitance		Input level (5V)	Output duty level	Standby function
		Output load (max) [pF]	Recommended operating frequency range [MHz]	Output load (max) [pF]	Recommended operating frequency range [MHz]	Output current [mA]		$C_G$ [pF]	$C_D$ [pF]			
SM5010AN1S	$f_0$	15	30	50	30	16	-	TBD	TTL	CMOS	No	
SM5010AN2S	$f_0/2$	15	30	50	30	16	-		TTL	CMOS/TTL	No	
SM5010AN3S	$f_0/4$	15	30	50	30	16	-		TTL	CMOS/TTL	No	
SM5010AN4S	$f_0/8$	15	30	50	30	16	-		TTL	CMOS/TTL	No	
SM5010AK1S	$f_0$	-	-	15	30	16	-		TTL	TTL	No	
SM5010AH1S	$f_0$	15	16	15	30	4	-		TTL	CMOS	No	
SM5010AH2S	$f_0/2$	15	16	15	30	4	-		TTL	CMOS	No	
SM5010AH3S	$f_0/4$	15	16	15	30	4	-		TTL	CMOS	No	
SM5010AH4S	$f_0/8$	15	16	15	30	4	-		TTL	CMOS	No	
SM5010BN1S	$f_0$	15	30	50	30	16	820		TTL	CMOS	No	
SM5010BN2S	$f_0/2$	15	30	50	30	16	820		TTL	CMOS/TTL	No	
SM5010BN3S	$f_0/4$	15	30	50	30	16	820		TTL	CMOS/TTL	No	
SM5010BN4S	$f_0/8$	15	30	50	30	16	820		TTL	CMOS/TTL	No	
SM5010BK1S	$f_0$	-	-	15	30	16	820		TTL	TTL	No	
SM5010BH1S	$f_0$	15	16	15	30	4	820		TTL	CMOS	No	
SM5010BH2S	$f_0/2$	15	16	15	30	4	820		TTL	CMOS	No	
SM5010BH3S	$f_0/4$	15	16	15	30	4	820		TTL	CMOS	No	
SM5010BH4S	$f_0/8$	15	16	15	30	4	820		TTL	CMOS	No	
SM5010CL1S	$f_0$	15	30	50	30	16	-		CMOS	CMOS	Yes	
SM5010CL2S	$f_0/2$	15	30	50	30	16	-		CMOS	CMOS	Yes	
SM5010CL3S	$f_0/4$	15	30	50	30	16	-		CMOS	CMOS	Yes	
SM5010CL4S	$f_0/8$	15	30	50	30	16	-		CMOS	CMOS	Yes	
SM5010DN1S	$f_0$	15	30	50	30	16	820		TTL	CMOS	No	

1. Chip form devices have designation CF5010×××.

Note: Recommended operating frequency is not the guaranteed value but is measured using NPC's standard crystal.

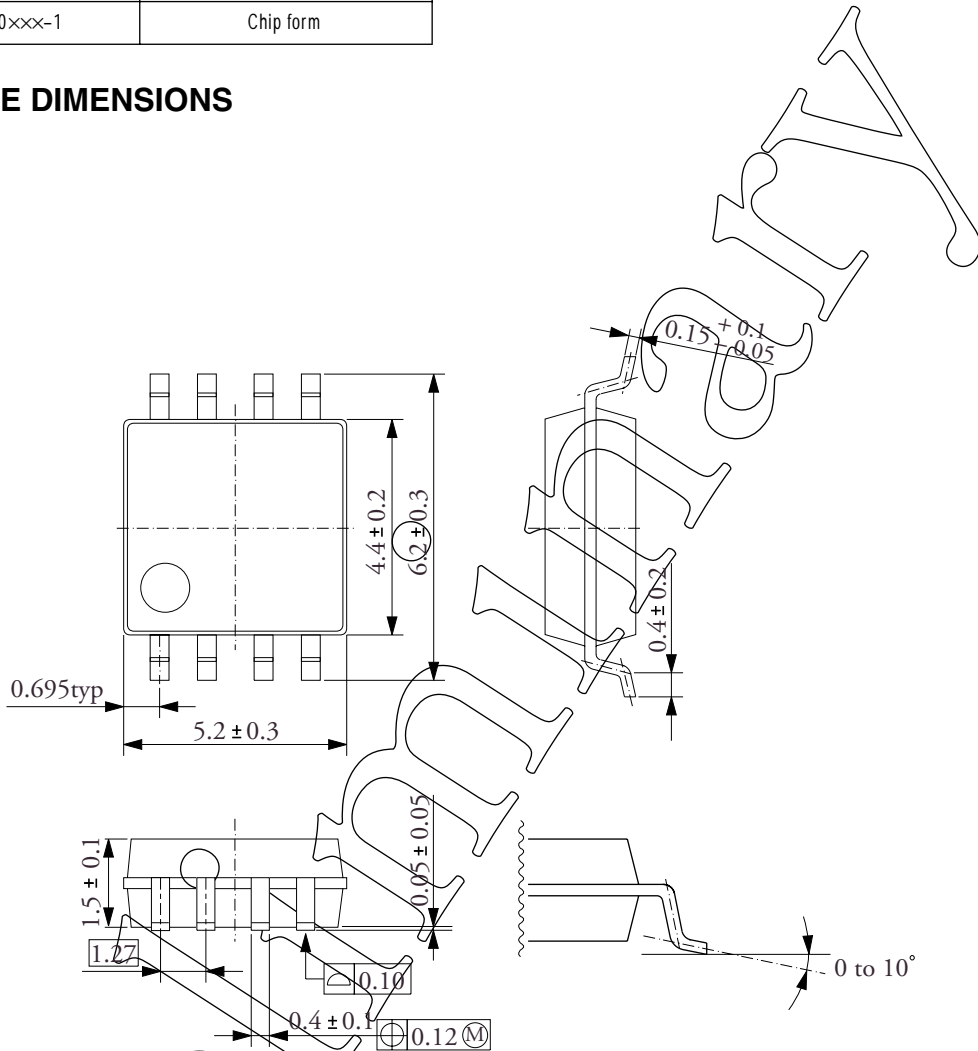
**ORDERING INFORMATION**

Device	Package
SM5010xxxS	8-pin SOP
CF5010xxx-1	Chip form

**PACKAGE DIMENSIONS**

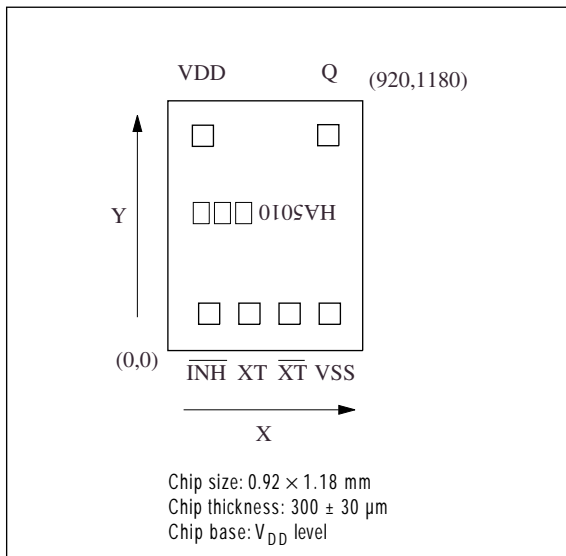
(Unit:mm)

- 8-pin SOP



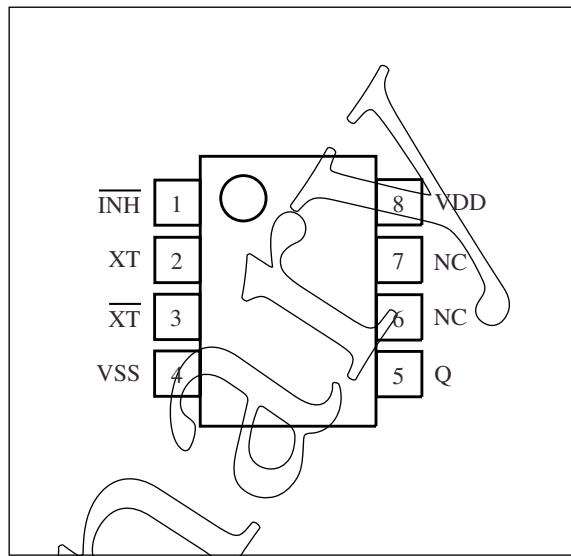
**PAD LAYOUT**

(Unit:  $\mu\text{m}$ )



**PINOUT**

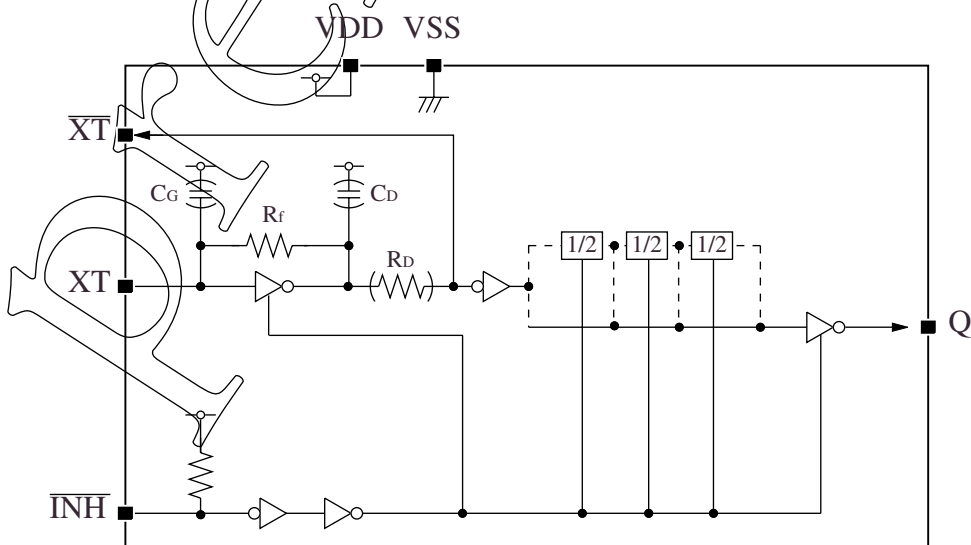
(Top view)



**PIN DESCRIPTION and PAD DIMENSIONS**

Number	Name	I/O	Description	Pad dimensions [ $\mu\text{m}$ ]	
				X	Y
1	INH	I	Output state control input. High impedance when LOW. In the case of the 5010CLx, the oscillator stops and Power-saving pull-up resistor built in.	195	174.4
2	XT	I	Amplifier input. Crystal oscillator connection pins.	385	174.4
3	XT	O	Amplifier output. Crystal oscillator connected between XT and XT	575	174.4
4	VSS	-	Ground	765	174.4
5	Q	O	Output. Output frequency ( $f_0, f_0/2, f_0/4, f_0/8$ ) determined by internal connection	757.6	1017.6
6	NC	-	No connection	-	-
7	NC	-	No connection	-	-
8	VDD	-	Supply voltage	165.4	1014.6

**BLOCK DIAGRAM**



## SPECIFICATIONS

### Absolute Maximum Ratings

 $V_{SS} = 0\text{ V}$ 

Parameter	Symbol	Condition	Rating	Unit
Supply voltage range	$V_{DD}$		-0.5 to 7.0	V
Input voltage range	$V_{IN}$		-0.5 to $V_{DD} + 0.5$	V
Output voltage range	$V_{OUT}$		-0.5 to $V_{DD} + 0.5$	V
Operating temperature range	$T_{opr}$		-40 to 85	°C
Storage temperature range	$T_{stg}$	Chip form	-55 to 150	°C
		8-pin SOP	-55 to 125	
Output current	$I_{OUT}$	5010×H×	10	mA
		5010×N×, ×K×, CL×	25	
Power dissipation	$P_D$	8-pin SOP	500	mW
Soldering temperature	$T_{slid}$	8-pin SOP	255	°C
Soldering time	$t_{slid}$	8-pin SOP	10	s

### Recommended Operating Conditions

#### 3V operation

 $V_{SS} = 0\text{ V}$ 

Parameter	Symbol	Series	Condition	Rating			Unit
				min	typ	max	
Supply voltage	$V_{DD}$	×N×	$2 \leq f \leq 30\text{ MHz}$ , $C_L \leq 15\text{ pF}$	2.7	-	3.6	V
		×H×	$2 \leq f \leq 16\text{ MHz}$ , $C_L \leq 15\text{ pF}$	2.7	-	3.6	
		CL×	$2 \leq f \leq 30\text{ MHz}$ , $C_L \leq 15\text{ pF}$	2.7	-	3.6	
Input voltage	$V_{IN}$	×N×	$2 \leq f \leq 30\text{ MHz}$ , $C_L \leq 15\text{ pF}$	$V_{SS}$	-	$V_{DD}$	V
		×H×	$2 \leq f \leq 16\text{ MHz}$ , $C_L \leq 15\text{ pF}$	$V_{SS}$	-	$V_{DD}$	
		CL×	$2 \leq f \leq 30\text{ MHz}$ , $C_L \leq 15\text{ pF}$	$V_{SS}$	-	$V_{DD}$	
Operating temperature	$T_{OPR}$	×N×	$2 \leq f \leq 30\text{ MHz}$ , $C_L \leq 15\text{ pF}$	-10	-	+70	°C
		×H×	$2 \leq f \leq 16\text{ MHz}$ , $C_L \leq 15\text{ pF}$	-10	-	+70	
		CL×	$2 \leq f \leq 30\text{ MHz}$ , $C_L \leq 15\text{ pF}$	-20	-	+80	

#### 5V operation

 $V_{SS} = 0\text{ V}$ 

Parameter	Symbol	Series	Condition	Rating			Unit
				min	typ	max	
Supply voltage	$V_{DD}$	×N×	$2 \leq f \leq 30\text{ MHz}$ , $C_L \leq 50\text{ pF}$	4.5	-	5.5	V
		×K×	$2 \leq f \leq 30\text{ MHz}$ , $C_L \leq 15\text{ pF}$	4.5	-	5.5	
		×H×	$2 \leq f \leq 30\text{ MHz}$ , $C_L \leq 15\text{ pF}$	4.5	-	5.5	
		CL×	$2 \leq f \leq 30\text{ MHz}$ , $C_L \leq 50\text{ pF}$	4.5	-	5.5	
Input voltage	$V_{IN}$	×N×	$2 \leq f \leq 30\text{ MHz}$ , $C_L \leq 50\text{ pF}$	$V_{SS}$	-	$V_{DD}$	V
		×K×	$2 \leq f \leq 30\text{ MHz}$ , $C_L \leq 15\text{ pF}$	$V_{SS}$	-	$V_{DD}$	
		×H×	$2 \leq f \leq 30\text{ MHz}$ , $C_L \leq 15\text{ pF}$	$V_{SS}$	-	$V_{DD}$	
		CL×	$2 \leq f \leq 30\text{ MHz}$ , $C_L \leq 50\text{ pF}$	$V_{SS}$	-	$V_{DD}$	
Operating temperature	$T_{OPR}$	×N×	$2 \leq f \leq 30\text{ MHz}$ , $C_L \leq 50\text{ pF}$	-40	-	+85	°C
		×K×	$2 \leq f \leq 30\text{ MHz}$ , $C_L \leq 15\text{ pF}$	-40	-	+85	
		×H×	$2 \leq f \leq 30\text{ MHz}$ , $C_L \leq 15\text{ pF}$	-40	-	+85	
		CL×	$2 \leq f \leq 30\text{ MHz}$ , $C_L \leq 50\text{ pF}$	-40	-	+85	

**Electrical Characteristics**

**5010×N× series**

3 V operation:  $V_{DD} = 2.7$  to  $3.6$  V,  $V_{SS} = 0$  V,  $T_a = -10$  to  $70$  °C unless otherwise noted.

Parameter	Symbol	Condition	Rating			Unit	
			min	typ	max		
HIGH-level output voltage	$V_{OH}$	Q: Measurement cct 1, $V_{DD} = 2.7$ V, $I_{OH} = 8$ mA	2.1	2.4	-	V	
LOW-level output voltage	$V_{OL}$	Q: Measurement cct 2, $V_{DD} = 2.7$ V, $I_{OL} = 8$ mA	-	0.3	0.4	V	
Output leakage current	$I_z$	Q: Measurement cct 2, $\overline{INH} = \text{LOW}$ , $V_{DD} = 3.6$ V, $V_{OH} = V_{DD}$	-	-	10	$\mu\text{A}$	
		Q: Measurement cct 2, $\overline{INH} = \text{LOW}$ , $V_{DD} = 3.6$ V, $V_{OL} = V_{SS}$	-	-	10		
HIGH-level input voltage	$V_{IH}$	$\overline{INH}$	2.0	-	-	V	
LOW-level input voltage	$V_{IL}$	$\overline{INH}$	-	-	0.5	V	
Current consumption	$I_{DD}$	Measurement cct 3, load cct 1, $\overline{INH} = \text{open}$ , $C_L = 15$ pF, $f = 30$ MHz	5010×N1	TBD			mA
			5010×N2				
			5010×N3				
			5010×N4				
INH pull-up resistance	$R_{UP1}$	Measurement cct 4	-	100	-	k $\Omega$	
Feedback resistance	$R_f$	Measurement cct 5	-	200	-	k $\Omega$	
Oscillator amplifier output resistance	$R_D$	Design value	5010B××	-	820	-	$\Omega$
Built-in capacitance	$C_G$	Design value, determined by the internal wafer pattern	5010A××, 5010B××	TBD			pF
	$C_D$						pF

**5010×N×, ×K× series**

5 V operation:  $V_{DD} = 4.5$  to  $5.5$  V,  $V_{SS} = 0$  V,  $T_a = -40$  to  $85$  °C unless otherwise noted.

Parameter	Symbol	Condition	Rating			Unit	
			min	typ	max		
HIGH-level output voltage	$V_{OH}$	Q: Measurement cct 1, $V_{DD} = 4.5$ V, $I_{OH} = 16$ mA	3.9	4.2	-	V	
LOW-level output voltage	$V_{OL}$	Q: Measurement cct 2, $V_{DD} = 4.5$ V, $I_{OL} = 16$ mA	-	0.3	0.4	V	
Output leakage current	$I_z$	Q: Measurement cct 2, $\overline{INH} = \text{LOW}$ , $V_{DD} = 5.5$ V, $V_{OH} = V_{DD}$	-	-	10	$\mu\text{A}$	
		Q: Measurement cct 2, $\overline{INH} = \text{LOW}$ , $V_{DD} = 5.5$ V, $V_{OL} = V_{SS}$	-	-	10		
HIGH-level input voltage	$V_{IH}$	$\overline{INH}$	2.0	-	-	V	
LOW-level input voltage	$V_{IL}$	$\overline{INH}$	-	-	0.8	V	
Current consumption	$I_{DD}$	Measurement cct 3, load cct 2, $\overline{INH} = \text{open}$ , $C_L = 50$ pF, $f = 30$ MHz	5010×N1	TBD			mA
			5010×N2				
			5010×N3				
			5010×N4				
		Measurement cct 3, load cct 1, $\overline{INH} = \text{open}$ , $C_L = 15$ pF, $f = 30$ MHz	5010×K×				
INH pull-up resistance	$R_{UP1}$	Measurement cct 4	-	100	-	k $\Omega$	
Feedback resistance	$R_f$	Measurement cct 5	-	200	-	k $\Omega$	
Oscillator amplifier output resistance	$R_D$	Design value	5010B××	-	820	-	$\Omega$
Built-in capacitance	$C_G$	Design value, determined by the internal wafer pattern	5010A××, 5010B××	TBD			pF
	$C_D$						pF

SM5010 series

5010×H× series

3 V operation:  $V_{DD} = 2.7$  to  $3.6$  V,  $V_{SS} = 0$  V,  $T_a = -10$  to  $70$  °C unless otherwise noted.

Parameter	Symbol	Condition	Rating			Unit	
			min	typ	max		
HIGH-level output voltage	$V_{OH}$	Q: Measurement cct 1, $V_{DD} = 2.7$ V, $I_{OH} = 2$ mA	2.1	2.4	-	V	
LOW-level output voltage	$V_{OL}$	Q: Measurement cct 2, $V_{DD} = 2.7$ V, $I_{OL} = 2$ mA	-	0.3	0.5	V	
Output leakage current	$I_Z$	Q: Measurement cct 2, $\overline{INH} = \text{LOW}$ , $V_{DD} = 3.6$ V, $V_{OH} = V_{DD}$	-	-	10	$\mu\text{A}$	
		Q: Measurement cct 2, $\overline{INH} = \text{LOW}$ , $V_{DD} = 3.6$ V, $V_{OL} = V_{SS}$	-	-	10		
HIGH-level input voltage	$V_{IH}$	$\overline{INH}$	2.0	-	-	V	
LOW-level input voltage	$V_{IL}$	$\overline{INH}$	-	-	0.5	V	
Current consumption	$I_{DD}$	Measurement cct 3, load cct 2, $\overline{INH} = \text{open}$ , $C_L = 15$ pF, $f = 16$ MHz	5010×H1	TBD			mA
			5010×H2				
			5010×H3				
			5010×H4				
$\overline{INH}$ pull-up resistance	$R_{UP1}$	Measurement cct 4	-	100	-	k $\Omega$	
Feedback resistance	$R_f$	Measurement cct 5	-	200	-	k $\Omega$	
Oscillator amplifier output resistance	$R_D$	Design value	-	820	-	$\Omega$	
Built-in capacitance	$C_G$	Design value, determined by the internal wafer pattern	5010A××, 5010B××	TBD			pF
	$C_D$						pF

5 V operation:  $V_{DD} = 4.5$  to  $5.5$  V,  $V_{SS} = 0$  V,  $T_a = -40$  to  $85$  °C unless otherwise noted.

Parameter	Symbol	Condition	Rating			Unit	
			min	typ	max		
HIGH-level output voltage	$V_{OH}$	Q: Measurement cct 1, $V_{DD} = 4.5$ V, $I_{OH} = 4$ mA	3.9	4.2	-	V	
LOW-level output voltage	$V_{OL}$	Q: Measurement cct 2, $V_{DD} = 4.5$ V, $I_{OL} = 4$ mA	-	0.3	0.5	V	
Output leakage current	$I_Z$	Q: Measurement cct 2, $\overline{INH} = \text{LOW}$ , $V_{DD} = 5.5$ V, $V_{OH} = V_{DD}$	-	-	10	$\mu\text{A}$	
		Q: Measurement cct 2, $\overline{INH} = \text{LOW}$ , $V_{DD} = 5.5$ V, $V_{OL} = V_{SS}$	-	-	10		
HIGH-level input voltage	$V_{IH}$	$\overline{INH}$	2.0	-	-	V	
LOW-level input voltage	$V_{IL}$	$\overline{INH}$	-	-	0.8	V	
Current consumption	$I_{DD}$	Measurement cct 3, load cct 2, $\overline{INH} = \text{open}$ , $C_L = 15$ pF, $f = 30$ MHz	5010×H1	TBD			mA
			5010×H2				
			5010×H3				
			5010×H4				
$\overline{INH}$ pull-up resistance	$R_{UP1}$	Measurement cct 4	-	100	-	k $\Omega$	
Feedback resistance	$R_f$	Measurement cct 5	-	200	-	k $\Omega$	
Oscillator amplifier output resistance	$R_D$	Design value	-	820	-	$\Omega$	
Built-in capacitance	$C_G$	Design value, determined by the internal wafer pattern	5010A××, 5010B××	TBD			pF
	$C_D$						pF

SM5010 series

5010CL× series

3 V operation:  $V_{DD} = 2.7$  to  $3.6$  V,  $V_{SS} = 0$  V,  $T_a = -20$  to  $80$  °C unless otherwise noted.

Parameter	Symbol	Condition	Rating			Unit	
			min	typ	max		
HIGH-level output voltage	$V_{OH}$	Q: Measurement cct 1, $V_{DD} = 2.7$ V, $I_{OH} = 8$ mA	2.2	2.4	-	V	
LOW-level output voltage	$V_{OL}$	Q: Measurement cct 2, $V_{DD} = 2.7$ V, $I_{OL} = 8$ mA	-	0.3	0.4	V	
Output leakage current	$I_z$	Q: Measurement cct 2, $\overline{INH} = \text{LOW}$ , $V_{DD} = 3.6$ V, $V_{OH} = V_{DD}$	-	-	10	$\mu\text{A}$	
		Q: Measurement cct 2, $\overline{INH} = \text{LOW}$ , $V_{DD} = 3.6$ V, $V_{OL} = V_{SS}$	-	-	10		
HIGH-level input voltage	$V_{IH}$	$\overline{INH}$	$0.7V_{DD}$			V	
LOW-level input voltage	$V_{IL}$	$\overline{INH}$			$0.3V_{DD}$	V	
Current consumption	$I_{DD}$	Measurement cct 3, load cct 2, $\overline{INH} = \text{open}$ , $C_L = 15$ pF, $f = 30$ MHz	5010CL1	TBD			mA
			5010CL2				
			5010CL3				
			5010CL4				
$\overline{INH}$ pull-up resistance	$R_{UP1}$	Measurement cct 4	-	100	-	$k\Omega$	
	$R_{UP2}$		TBD			$M\Omega$	
Feedback resistance	$R_f$	Measurement cct 5	-	200	-	$k\Omega$	
Built-in capacitance	$C_G$	Design value, determined by the internal wafer pattern	TBD			pF	
	$C_D$					pF	

5 V operation:  $V_{DD} = 4.5$  to  $5.5$  V,  $V_{SS} = 0$  V,  $T_a = -40$  to  $85$  °C unless otherwise noted.

Parameter	Symbol	Condition	Rating			Unit	
			min	typ	max		
HIGH-level output voltage	$V_{OH}$	Q: Measurement cct 1, $V_{DD} = 4.5$ V, $I_{OH} = 16$ mA	4.0	4.2	-	V	
LOW-level output voltage	$V_{OL}$	Q: Measurement cct 2, $V_{DD} = 4.5$ V, $I_{OL} = 16$ mA	-	0.3	0.4	V	
Output leakage current	$I_z$	Q: Measurement cct 2, $\overline{INH} = \text{LOW}$ , $V_{DD} = 5.5$ V, $V_{OH} = V_{DD}$	-	-	10	$\mu\text{A}$	
		Q: Measurement cct 2, $\overline{INH} = \text{LOW}$ , $V_{DD} = 5.5$ V, $V_{OL} = V_{SS}$	-	-	10		
HIGH-level input voltage	$V_{IH}$	$\overline{INH}$	$0.7V_{DD}$			V	
LOW-level input voltage	$V_{IL}$	$\overline{INH}$			$0.3V_{DD}$	V	
Current consumption	$I_{DD}$	Measurement cct 3, load cct 2, $\overline{INH} = \text{open}$ , $C_L = 50$ pF, $f = 30$ MHz	5010CL1	TBD			mA
			5010CL2				
			5010CL3				
			5010CL4				
$\overline{INH}$ pull-up resistance	$R_{UP1}$	Measurement cct 4	-	100	-	$k\Omega$	
	$R_{UP2}$		TBD			$M\Omega$	
Feedback resistance	$R_f$	Measurement cct 5	-	200	-	$k\Omega$	
Built-in capacitance	$C_G$	Design value, determined by the internal wafer pattern	TBD			pF	
	$C_D$					pF	

**Switching Characteristics**

**5010×N× series**

3 V operation:  $V_{DD} = 2.7$  to  $3.6$  V,  $V_{SS} = 0$  V,  $T_a = -10$  to  $70$  °C unless otherwise noted.

Parameter	Symbol	Condition	Rating			Unit
			min	typ	max	
Output rise time	$t_{r1}$	Measurement cct 6, load cct 2, $C_L = 15$ pF, $0.1V_{DD}$ to $0.9V_{DD}$	-	3.0	6.0	ns
Output fall time	$t_{f1}$	Measurement cct 6, load cct 2, $C_L = 15$ pF, $0.9V_{DD}$ to $0.1V_{DD}$	-	3.0	6.0	ns
Output duty cycle <sup>1</sup>	Duty	Measurement cct 6, load cct 2, $V_{DD} = 3.0$ V, $T_a = 25$ °C, $C_L = 15$ pF, $f = 30$ MHz	40	-	60	%
Output disable delay time	$t_{pLZ}$	Measurement cct 7, load cct 2, $V_{DD} = 3.0$ V, $T_a = 25$ °C, $C_L = 15$ pF	-	-	100	ns
Output enable delay time	$t_{pZL}$		-	-	100	ns

1. Determined by the lot monitor.

**5010×N×, ×K× series**

5 V operation (5010×N×):  $V_{DD} = 4.5$  to  $5.5$  V,  $V_{SS} = 0$  V,  $T_a = -40$  to  $85$  °C unless otherwise noted.

Parameter	Symbol	Condition	Rating			Unit	
			min	typ	max		
Output rise time	$t_{r2}$	Measurement cct 6, load cct 2, $0.1V_{DD}$ to $0.9V_{DD}$	$C_L = 15$ pF	-	2.0	4.0	ns
	$t_{r3}$		$C_L = 50$ pF	-	4.0	8.0	
Output fall time	$t_{f2}$	Measurement cct 6, load cct 2, $0.9V_{DD}$ to $0.1V_{DD}$	$C_L = 15$ pF	-	2.0	4.0	ns
	$t_{f3}$		$C_L = 50$ pF	-	4.0	8.0	
Output duty cycle <sup>1</sup>	Duty	Measurement cct 6, load cct 2, $V_{DD} = 5.0$ V, $T_a = 25$ °C, $C_L = 50$ pF, $f = 30$ MHz	45	-	55	%	
Output disable delay time	$t_{pLZ}$	Measurement cct 7, load cct 2, $V_{DD} = 5.0$ V, $T_a = 25$ °C, $C_L = 15$ pF	-	-	100	ns	
Output enable delay time	$t_{pZL}$		-	-	100	ns	

1. Determined by the lot monitor.

5 V operation (5010AN2, AN3, AN4, BN2, BN3, BN4, ×K×):  $V_{DD} = 4.5$  to  $5.5$  V,  $V_{SS} = 0$  V,  $T_a = -40$  to  $85$  °C unless otherwise noted.

Parameter	Symbol	Condition	Rating			Unit
			min	typ	max	
Output rise time	$t_{r4}$	Measurement cct 6, load cct 1, $C_L = 15$ pF, $0.4V$ to $2.4V$	-	1.5	3.0	ns
Output fall time	$t_{f4}$	Measurement cct 6, load cct 1, $C_L = 15$ pF, $2.4V$ to $0.4V$	-	1.5	3.0	ns
Output duty cycle <sup>1</sup>	Duty	Measurement cct 6, load cct 1, $V_{DD} = 5.0$ V, $T_a = 25$ °C, $C_L = 15$ pF, $f = 30$ MHz	45	-	55	%
Output disable delay time	$t_{pLZ}$	Measurement cct 7, load cct 1, $V_{DD} = 5.0$ V, $T_a = 25$ °C, $C_L = 15$ pF	-	-	100	ns
Output enable delay time	$t_{pZL}$		-	-	100	ns

1. Determined by the lot monitor.



**5010×H× series**

3 V operation:  $V_{DD} = 2.7$  to  $3.6$  V,  $V_{SS} = 0$  V,  $T_a = -10$  to  $70$  °C unless otherwise noted.

Parameter	Symbol	Condition	Rating			Unit
			min	typ	max	
Output rise time	$t_{r1}$	Measurement cct 6, load cct 2, $C_L = 15$ pF, $0.1V_{DD}$ to $0.9V_{DD}$	-	15	30	ns
Output fall time	$t_{f1}$	Measurement cct 6, load cct 2, $C_L = 15$ pF, $0.9V_{DD}$ to $0.1V_{DD}$	-	15	30	ns
Output duty cycle <sup>1</sup>	Duty	Measurement cct 6, load cct 2, $V_{DD} = 3.0$ V, $T_a = 25$ °C, $C_L = 15$ pF, $f = 16$ MHz	40	-	60	%
Output disable delay time	$t_{pLZ}$	Measurement cct 7, load cct 2, $V_{DD} = 3.0$ V, $T_a = 25$ °C, $C_L = 15$ pF	-	-	100	ns
Output enable delay time	$t_{pZL}$		-	-	100	ns

1. Determined by the lot monitor.

5 V operation:  $V_{DD} = 4.5$  to  $5.5$  V,  $V_{SS} = 0$  V,  $T_a = -40$  to  $85$  °C unless otherwise noted.

Parameter	Symbol	Condition	Rating			Unit	
			min	typ	max		
Output rise time	$t_{r2}$	Measurement cct 6, load cct 2, $0.1V_{DD}$ to $0.9V_{DD}$	$C_L = 15$ pF	-	5	10	ns
	$t_{r3}$		$C_L = 50$ pF	-	13	26	
Output fall time	$t_{f2}$	Measurement cct 6, load cct 2, $0.9V_{DD}$ to $0.1V_{DD}$	$C_L = 15$ pF	-	5	10	ns
	$t_{f3}$		$C_L = 50$ pF	-	13	26	
Output duty cycle <sup>1</sup>	Duty	Measurement cct 6, load cct 2, $V_{DD} = 5.0$ V, $T_a = 25$ °C, $C_L = 15$ pF, $f = 30$ MHz	45	-	55	%	
Output disable delay time	$t_{pLZ}$	Measurement cct 7, load cct 2, $V_{DD} = 5.0$ V, $T_a = 25$ °C, $C_L = 15$ pF	-	-	100	ns	
Output enable delay time	$t_{pZL}$		-	-	100	ns	

1. Determined by the lot monitor.

PRELIMINARY

**5010CL× series**

3 V operation:  $V_{DD} = 2.7$  to  $3.6$  V,  $V_{SS} = 0$  V,  $T_a = -20$  to  $80$  °C unless otherwise noted.

Parameter	Symbol	Condition	Rating			Unit	
			min	typ	max		
Output rise time	$t_{r2}$	Measurement cct 6, load cct 2, $0.1V_{DD}$ to $0.9V_{DD}$	$C_L = 15$ pF	-	2.0	4.0	ns
	$t_{r4}$		$C_L = 30$ pF	-	3.0	6.0	
Output fall time	$t_{f2}$	Measurement cct 6, load cct 2, $0.9V_{DD}$ to $0.1V_{DD}$	$C_L = 15$ pF	-	2.0	4.0	ns
	$t_{f4}$		$C_L = 30$ pF	-	3.0	6.0	
Output duty cycle <sup>1</sup>	Duty	Measurement cct 6, load cct 2, $V_{DD} = 3.0$ V, $T_a = 25$ °C, $C_L = 15$ pF, $f = 30$ MHz		45		55	%
Output disable delay time <sup>2</sup>	$t_{PLZ}$	Measurement cct 7, load cct 2, $V_{DD} = 3.0$ V, $T_a = 25$ °C, $C_L = 15$ pF				100	ns
Output enable delay time <sup>2</sup>	$t_{PZL}$					100	ns

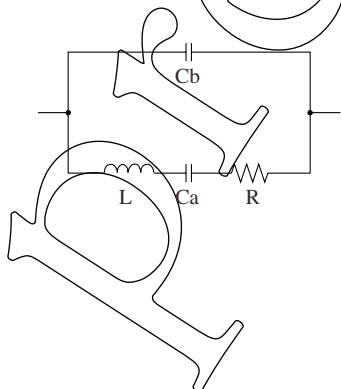
1. Determined by the lot monitor.
2. Oscillator stop function is built-in. When  $\overline{INH}$  goes LOW, normal output stops. When  $\overline{INH}$  goes HIGH, normal output is not resumed until after the oscillator start-up time has elapsed.

5 V operation:  $V_{DD} = 4.5$  to  $5.5$  V,  $V_{SS} = 0$  V,  $T_a = -40$  to  $85$  °C unless otherwise noted.

Parameter	Symbol	Condition	Rating			Unit	
			min	typ	max		
Output rise time	$t_{r2}$	Measurement cct 6, load cct 2, $0.1V_{DD}$ to $0.9V_{DD}$	$C_L = 15$ pF	-	1.5	3.0	ns
	$t_{r3}$		$C_L = 50$ pF	-	4.0	8.0	
Output fall time	$t_{f2}$	Measurement cct 6, load cct 2, $0.9V_{DD}$ to $0.1V_{DD}$	$C_L = 15$ pF	-	1.5	3.0	ns
	$t_{f3}$		$C_L = 50$ pF	-	4.0	8.0	
Output duty cycle <sup>1</sup>	Duty	Measurement cct 6, load cct 2, $V_{DD} = 5.0$ V, $T_a = 25$ °C, $C_L = 50$ pF, $f = 30$ MHz		40	-	60	%
Output disable delay time <sup>2</sup>	$t_{PLZ}$	Measurement cct 7, load cct 2, $V_{DD} = 5.0$ V, $T_a = 25$ °C, $C_L = 15$ pF				100	ns
Output enable delay time <sup>2</sup>	$t_{PZL}$					100	ns

1. Determined by the lot monitor.
2. Oscillator stop function is built-in. When  $\overline{INH}$  goes LOW, normal output stops. When  $\overline{INH}$  goes HIGH, normal output is not resumed until after the oscillator start-up time has elapsed.

**Current consumption and Output waveform with NPC's standard crystal**



f (MHz)	R (Ω)	L (mH)	Ca (fF)	Cb (pF)
30	17.2	4.36	6.46	2.26

## FUNCTIONAL DESCRIPTION

### Standby Function

#### AH, AK, AN, BH, BK, BN, DN series

When  $\overline{\text{INH}}$  goes LOW, the output on Q becomes high impedance, but internally the oscillator does not stop.

#### CL series

When  $\overline{\text{INH}}$  goes LOW, the oscillator stops and the oscillator output on Q becomes high impedance.

Version	$\overline{\text{INH}}$	Q	Oscillator
AH, AK, AN, BH, BK, BN, DN series	HIGH (or open)	Any $f_0$ , $f_0/2$ , $f_0/4$ or $f_0/8$ output frequency	Normal operation
	LOW	High impedance	Normal operation
CL series	HIGH (or open)	Any $f_0$ , $f_0/2$ , $f_0/4$ or $f_0/8$ output frequency	Normal operation
	LOW	High impedance	Stopped

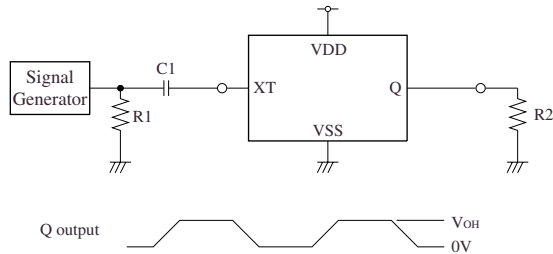
### Power-save Pull-up Resistance (CL series only)

The  $\overline{\text{INH}}$  pull-up resistance changes in response to the input level (HIGH or LOW). When  $\overline{\text{INH}}$  goes LOW (standby state), the pull-up resistance becomes large to reduce the current consumption during standby.

Preliminary

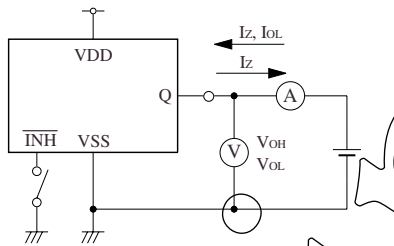
## MEASUREMENT CIRCUITS

### Measurement cct 1

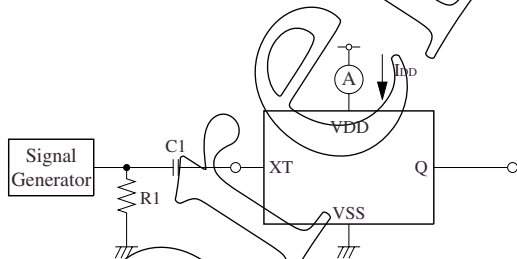


- 2.0V<sub>p-p</sub>, 10MHz sine wave input signal (3V operation)
- 3.5V<sub>p-p</sub>, 10MHz sine wave input signal (5V operation)
- C1 : 0.001μF
- R1 : 50Ω
- R2 : 263Ω (5010×N×, ×K×/ 3V operation)
- 245Ω (5010×N×, ×K×/ 5V operation)
- 1050Ω (5010×H×/ 3V operation)
- 975Ω (5010×H×/ 5V operation)
- 275Ω (5010CL×/ 3V operation)
- 250Ω (5010CL×/ 5V operation)

### Measurement cct 2

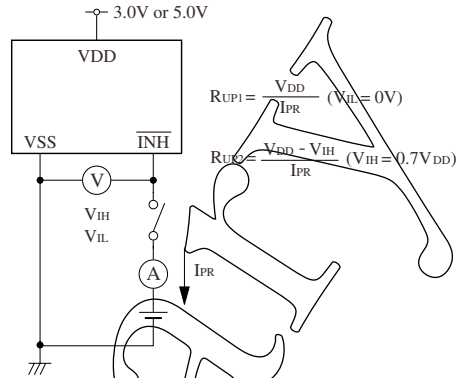


### Measurement cct 3

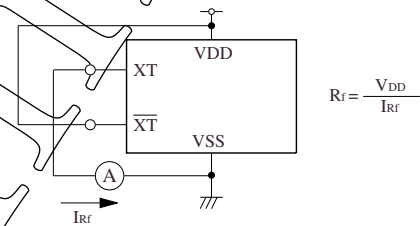


- 2.0V<sub>p-p</sub>, 30MHz sine wave input signal (3V operation)
- 3.5V<sub>p-p</sub>, 30MHz sine wave input signal (5V operation)
- C1 : 0.001μF
- R1 : 50Ω

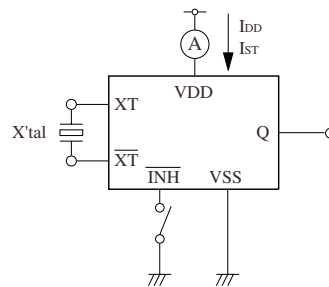
### Measurement cct 4



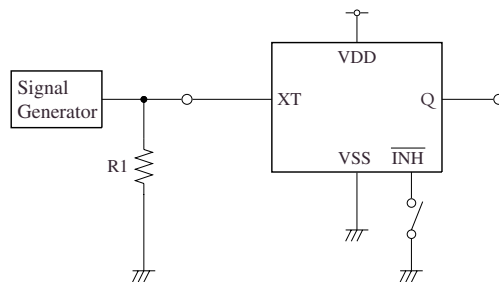
### Measurement cct 5



### Measurement cct 6

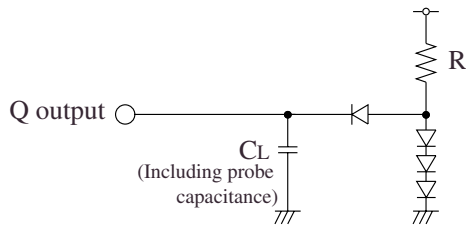


### Measurement cct 7



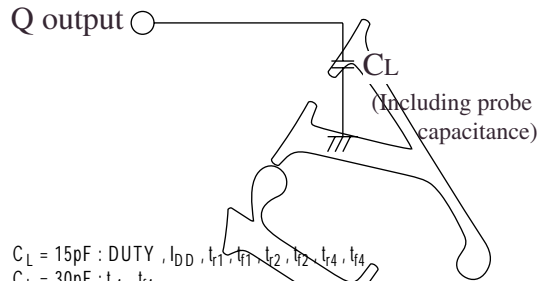
- R1 : 50Ω

**Load cct 1**



$C_L = 15\text{pF}$  : DUTY,  $I_{DD}$ ,  $t_r$ ,  $t_f$   
 $R = 400\Omega$

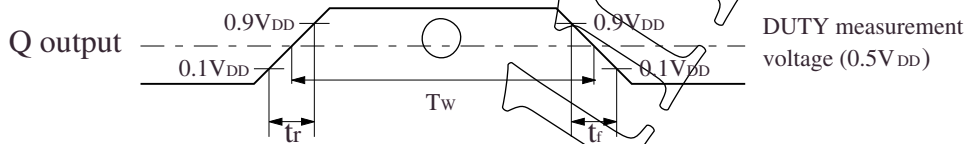
**Load cct 2**



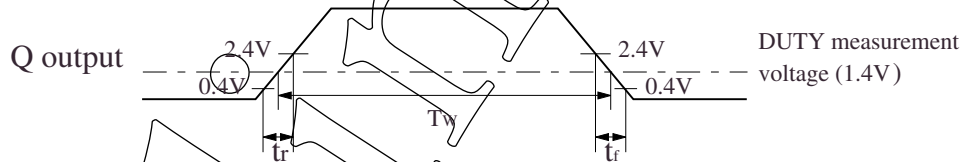
$C_L = 15\text{pF}$  : DUTY,  $I_{DD}$ ,  $t_{r1}$ ,  $t_{f1}$ ,  $t_{r2}$ ,  $t_{f2}$ ,  $t_{r4}$ ,  $t_{f4}$   
 $C_L = 30\text{pF}$  :  $t_{r4}$ ,  $t_{f4}$   
 $C_L = 50\text{pF}$  :  $t_{r3}$ ,  $t_{f3}$

**Switching Time Measurement Waveform**

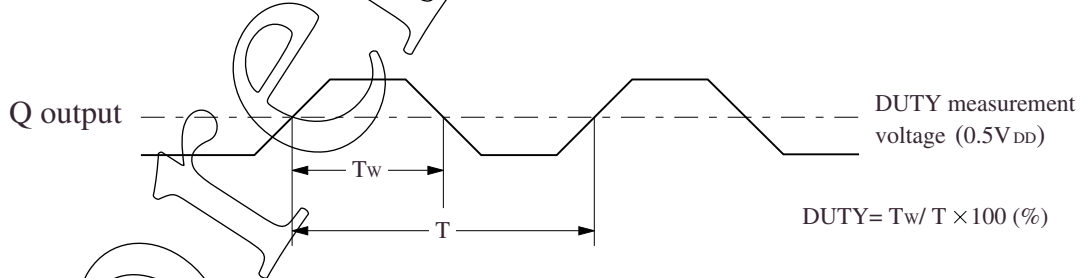
**Output duty level (CMOS)**



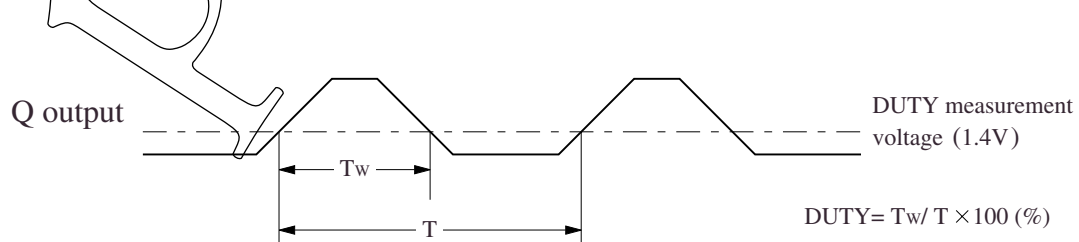
**Output duty level (TTL)**



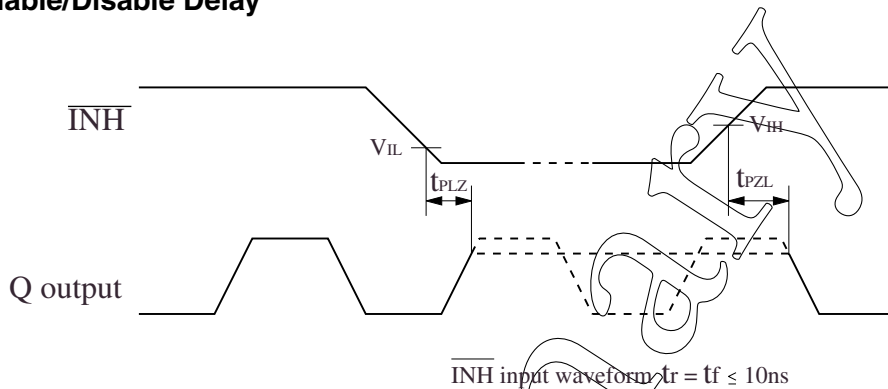
**Output duty cycle (CMOS)**



**Output duty cycle (TTL)**



## Output Enable/Disable Delay



Note (CL series only) : when the device is in standby, the oscillator stops. When standby is released, the oscillator starts and stable oscillator output occurs after a short delay.

NIPPON PRECISION CIRCUITS INC. reserves the right to make changes to the products described in this data sheet in order to improve the design or performance and to supply the best possible products. Nippon Precision Circuits Inc. assumes no responsibility for the use of any circuits shown in this data sheet, conveys no license under any patent or other rights, and makes no claim that the circuits are free from patent infringement. Applications for any devices shown in this data sheet are for illustration only and Nippon Precision Circuits Inc. makes no claim or warranty that such applications will be suitable for the use specified without further testing or modification. The products described in this data sheet are not intended to use for the apparatus which influence human lives due to the failure or malfunction of the products. Customers are requested to comply with applicable laws and regulations in effect now and hereinafter, including compliance with export controls on the distribution or dissemination of the products. Customers shall not export, directly or indirectly, any products without first obtaining required licenses and approvals from appropriate government agencies.

**NPC**  
NIPPON PRECISION CIRCUITS INC.

NIPPON PRECISION CIRCUITS INC.

4-3, Fukuzumi 2-chome  
Koto-ku, Tokyo 135-8430, Japan  
Telephone: +81-3-3642-6661  
Facsimile: +81-3-3642-6698  
<http://www.npc.co.jp/>  
Email: sales@npc.co.jp

NP0015AE 2000.10