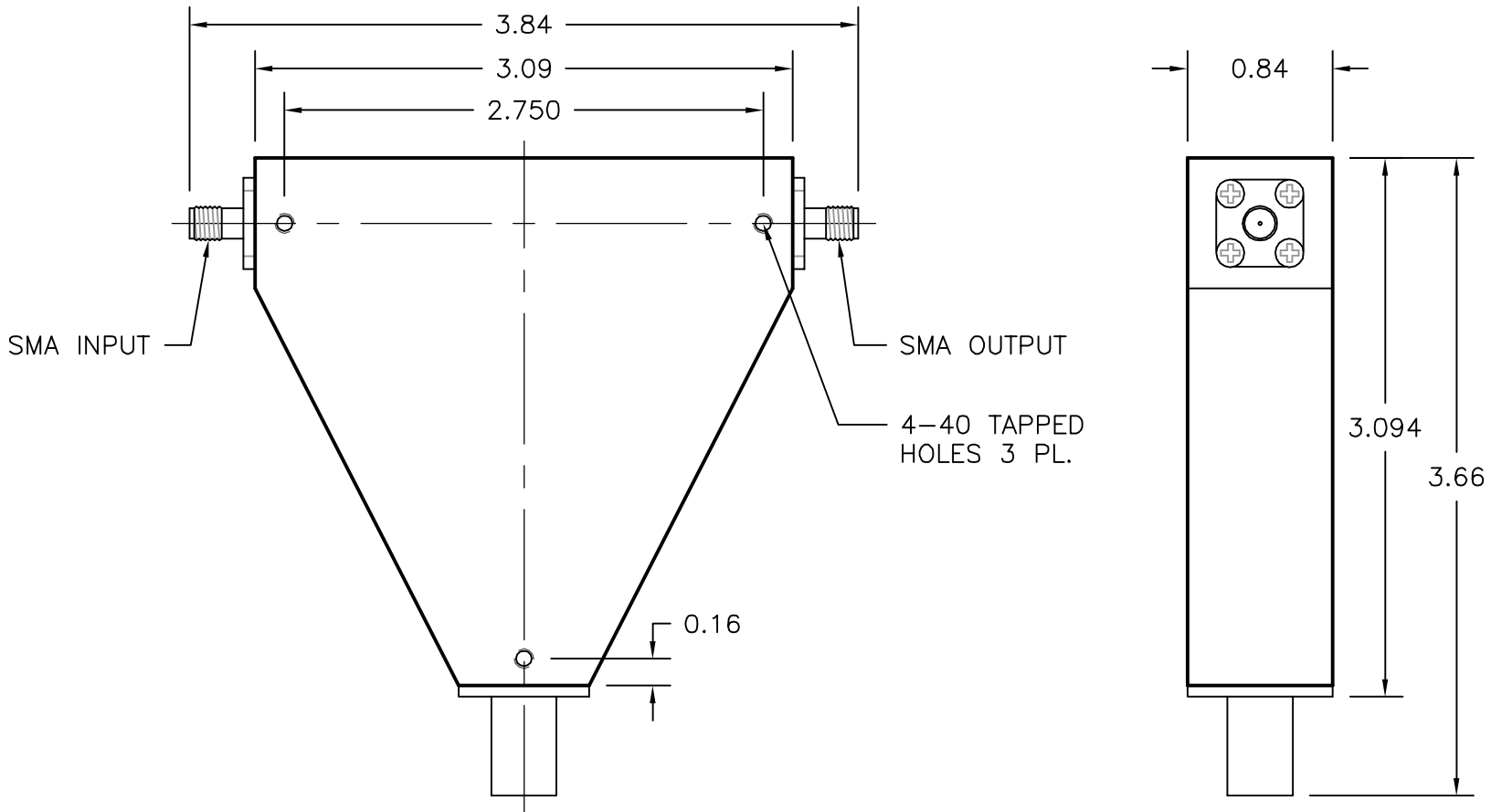


REV. A	DATE 10/23/01	INITIAL RELEASE	APPROVED
REV. B	DATE 10/18/04	NOTES FOR SMA INPUT, OUTPUT CONN. ADDED	



MODEL NUMBER: ATI 1-2
ELEC. SPECS.

FREQUENCY RANGE	1-2 GHz
INSERTION LOSS	0.4 dB (MAX.)
ISOLATION LOSS	20 dB (MIN.)
VSWR	1.25:1 (MAX.)
AVG. FOWARD POWER	75 WATT
PEAK FOWARD POWER	200 WATT
LOAD POWER	1 WATT

MATERIAL	-	TREATMENT	-	DRAWN	R. LYNCH	DATE	10/23/01				
FINISH	-	MOD NO.	ATI-1-2	CHECKED		DATE					
BROADBAND COAXIAL ISOLATOR				APPROVED		DATE					
				<small>ADVANCED TECHNICAL MATERIALS, INC. 49 RIDER AVE., PATCHOGUE N.Y. 11772 TEL: (631) 289-0386 FAX: (631) 289-0358 http://www.atmmicrowave.com</small>				UNLESS OTHERWISE NOTED DIMENSIONS ARE IN INCHES	FRACTIONS ±1/64	DECIMALS ±.01	ANGLES ±1/2°
				<small>PROPRIETARY NOTICE: THE INFORMATION IN THIS DRAWING IS PROPRIETARY AND SHALL NOT BE USED OR DISCLOSED WITHOUT THE PRIOR WRITTEN CONSENT OF ATM, INC.</small>		SCALE	1 : 1	DWG. No.	4659	REV.	B