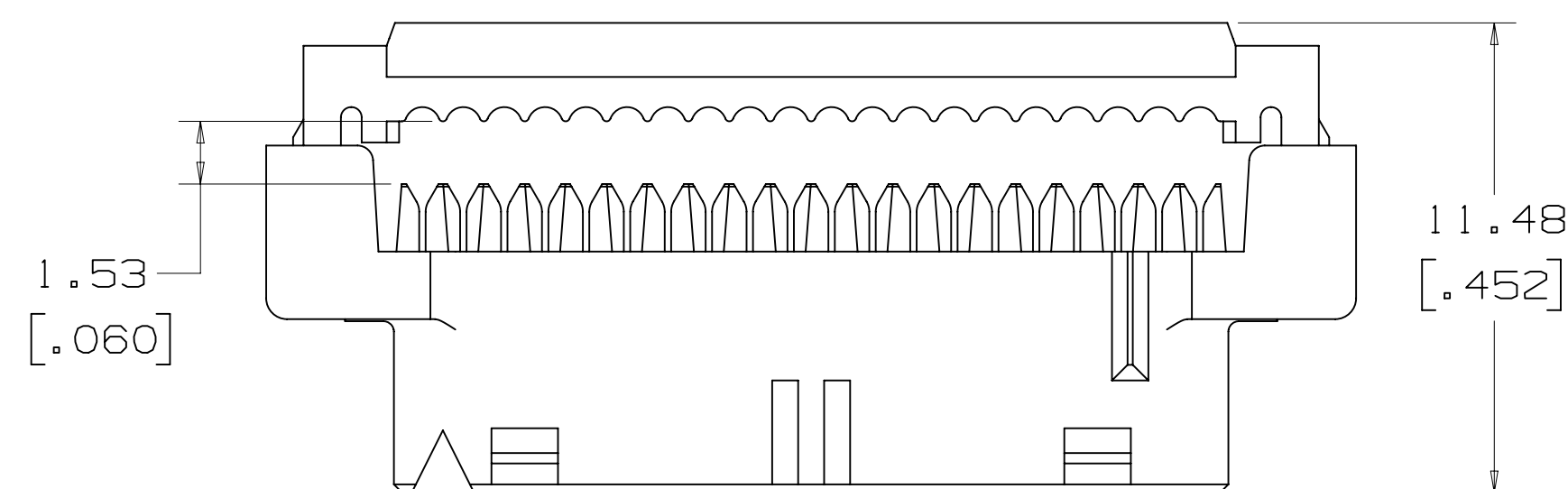
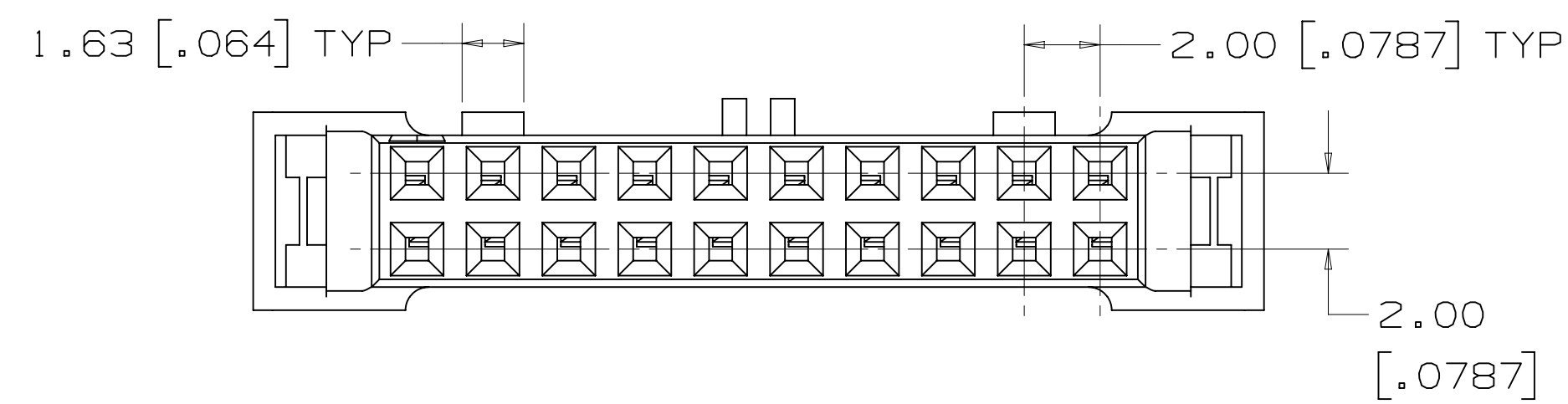
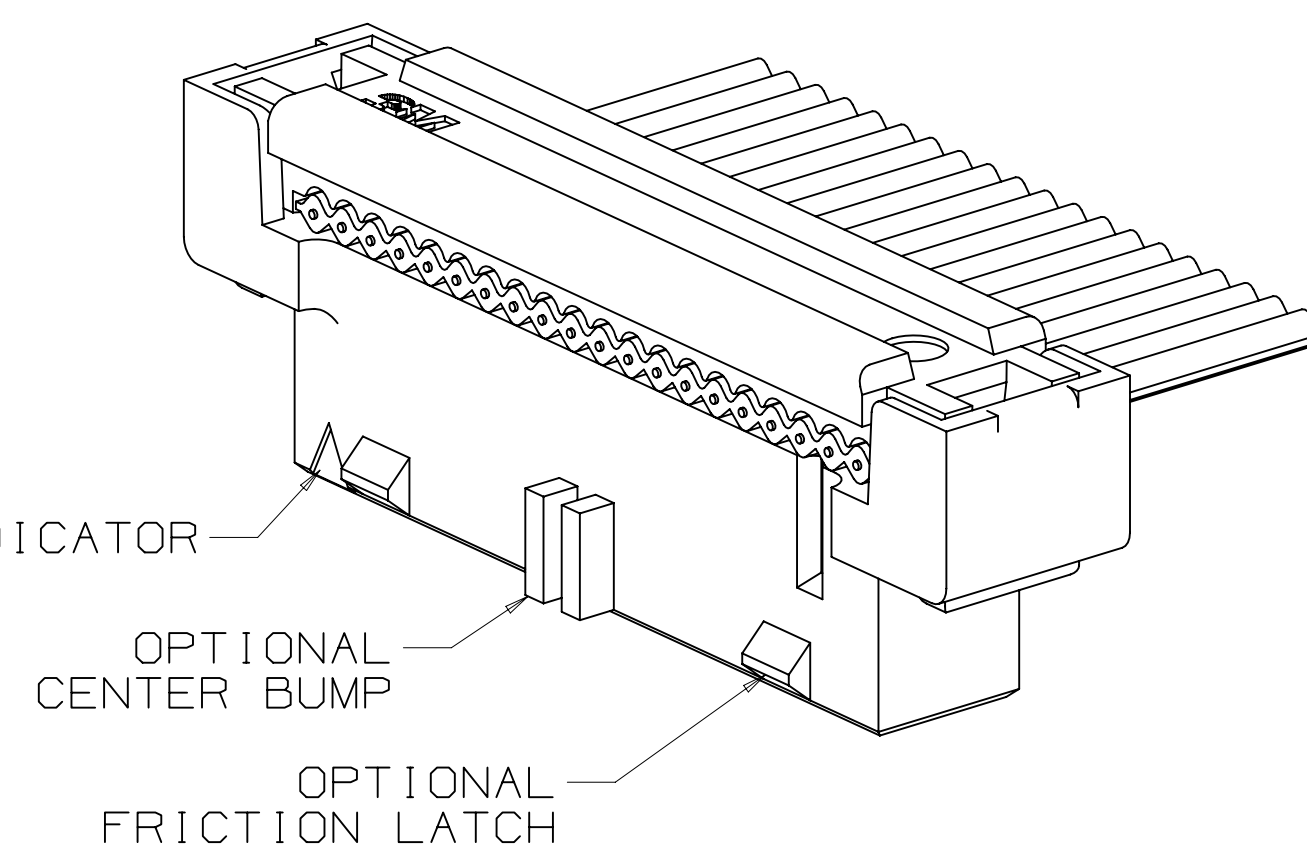
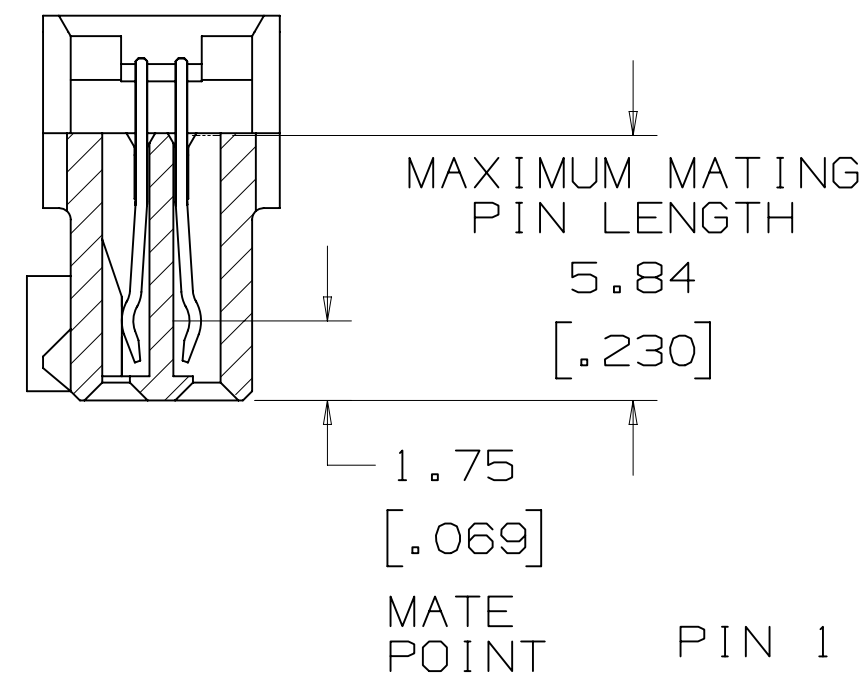
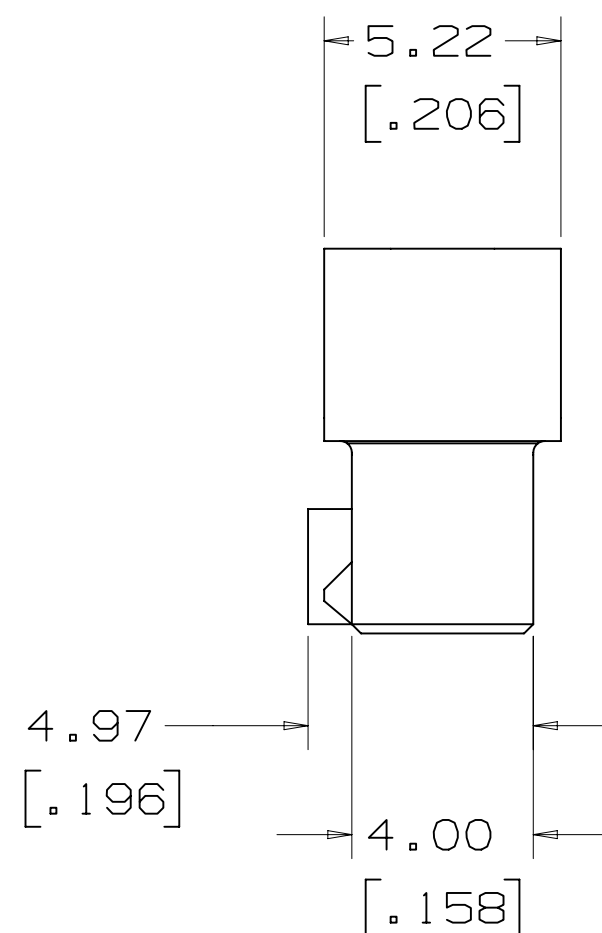
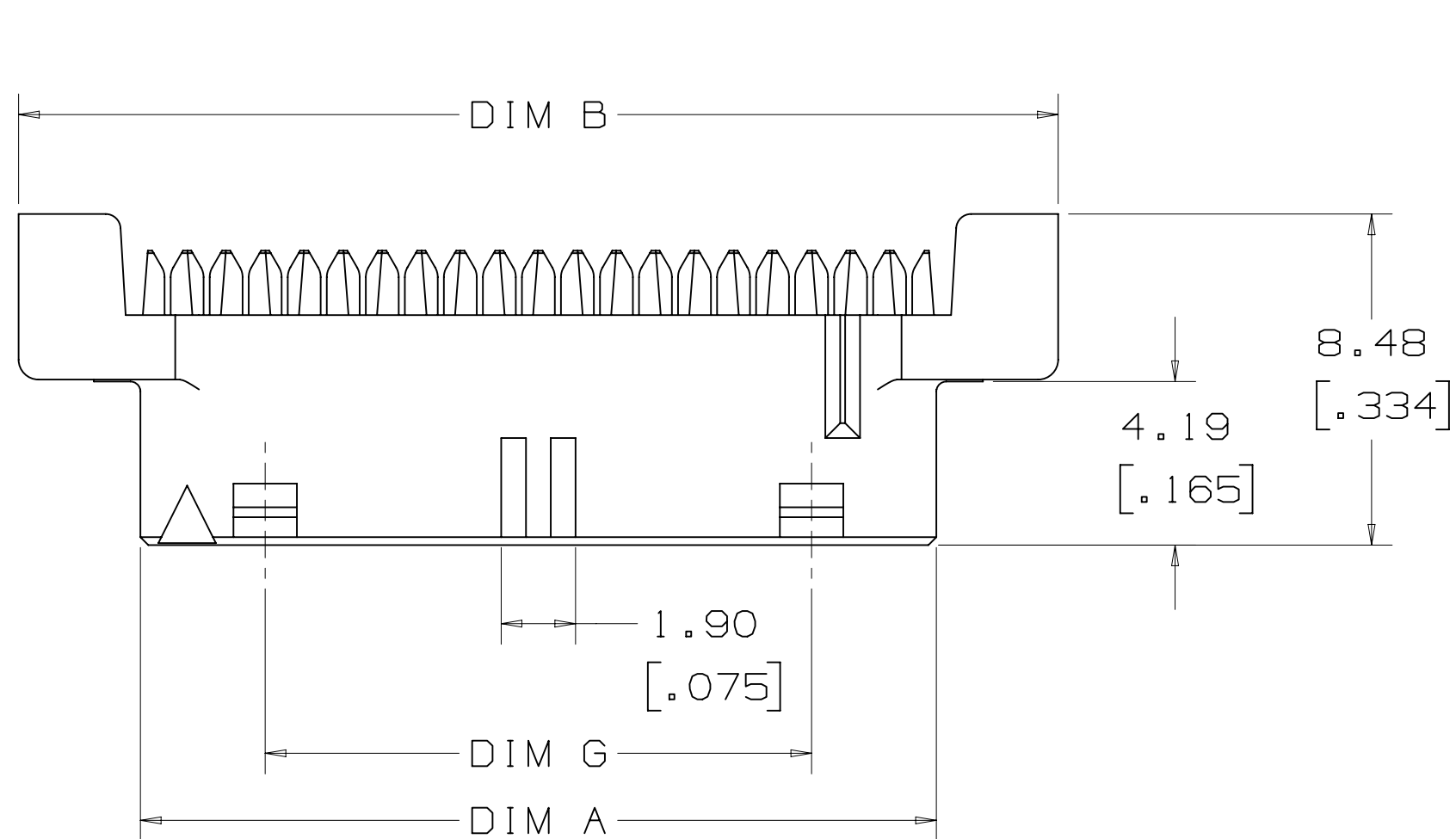
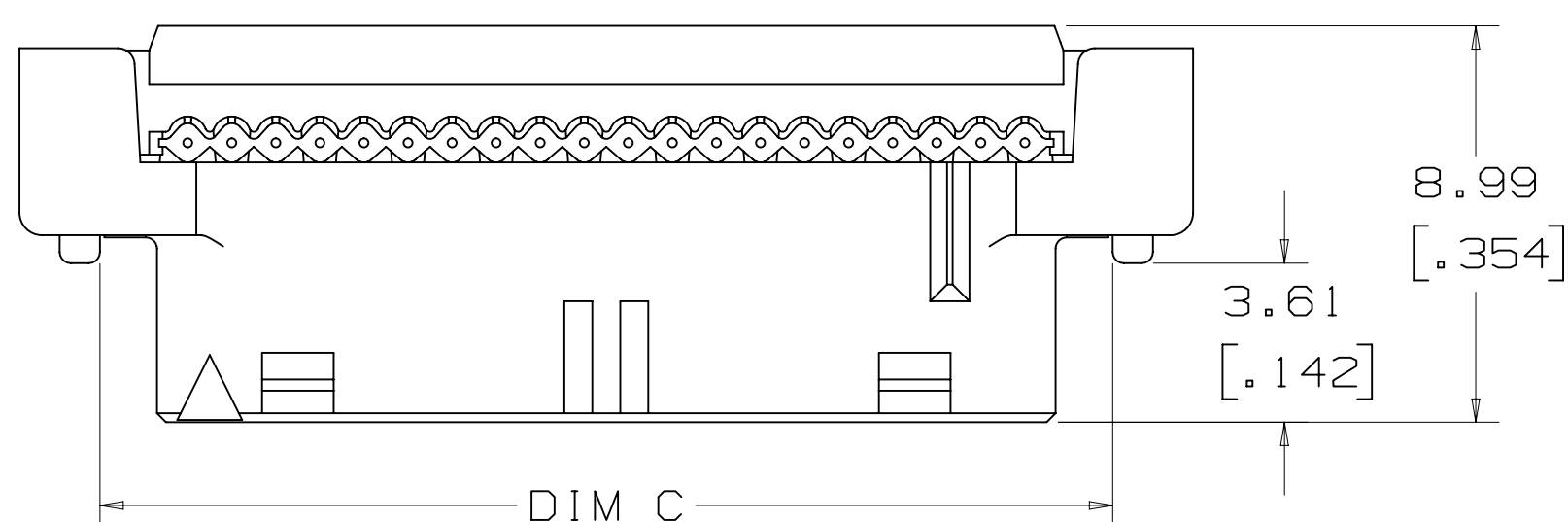


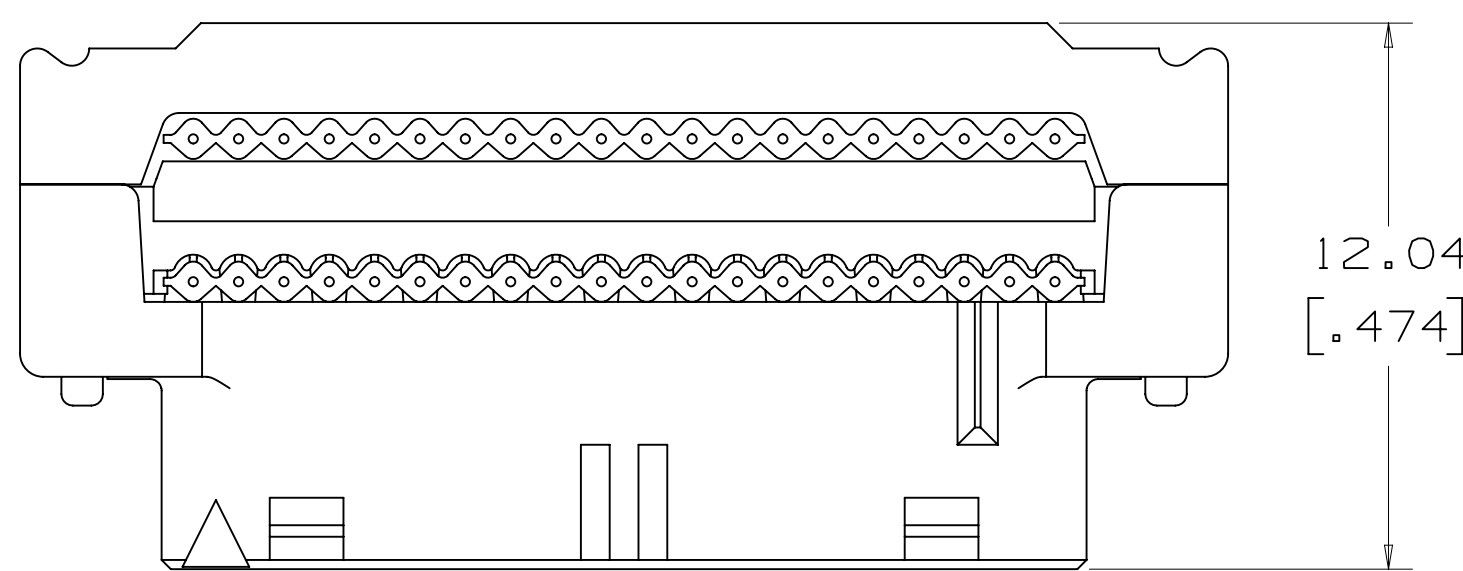
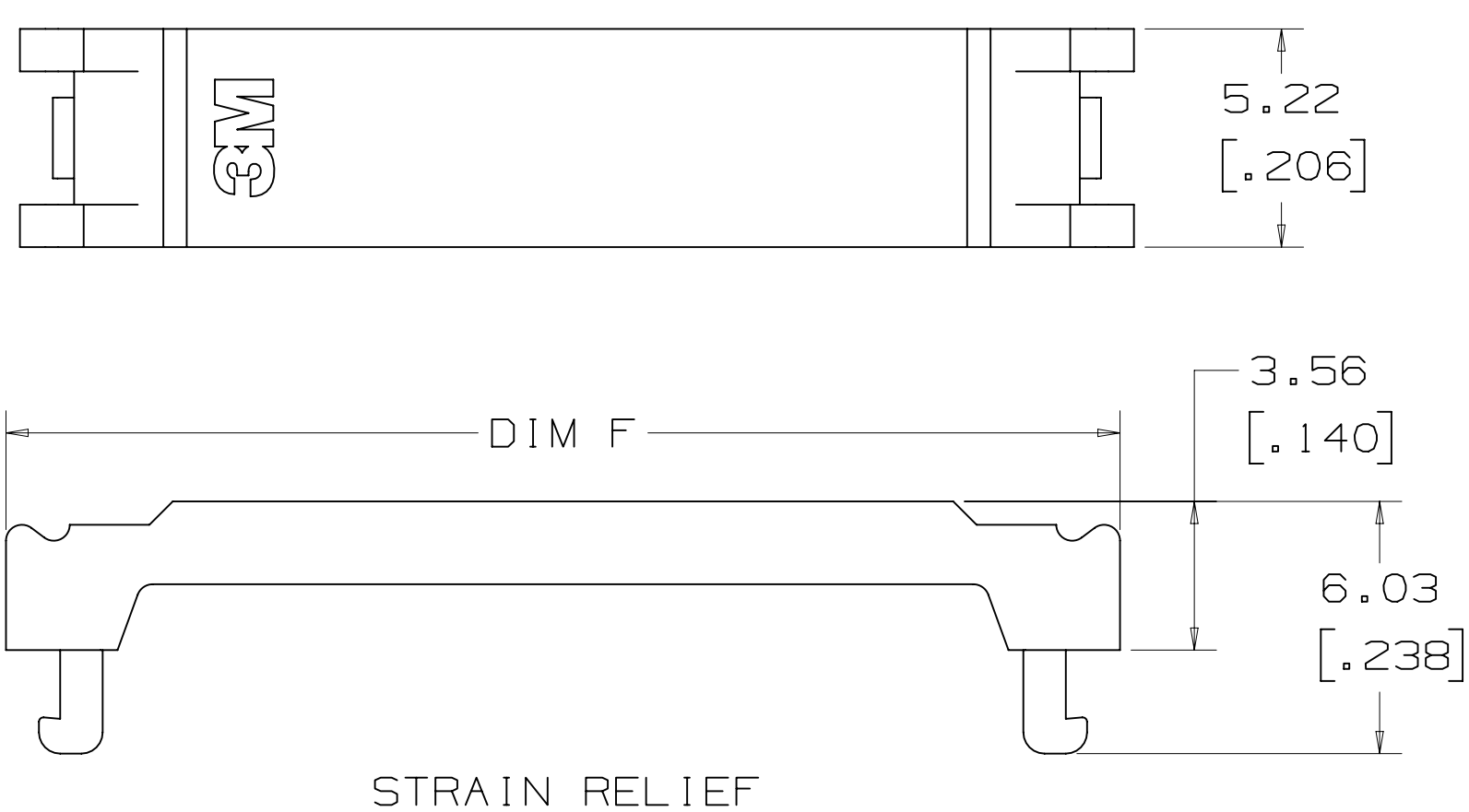
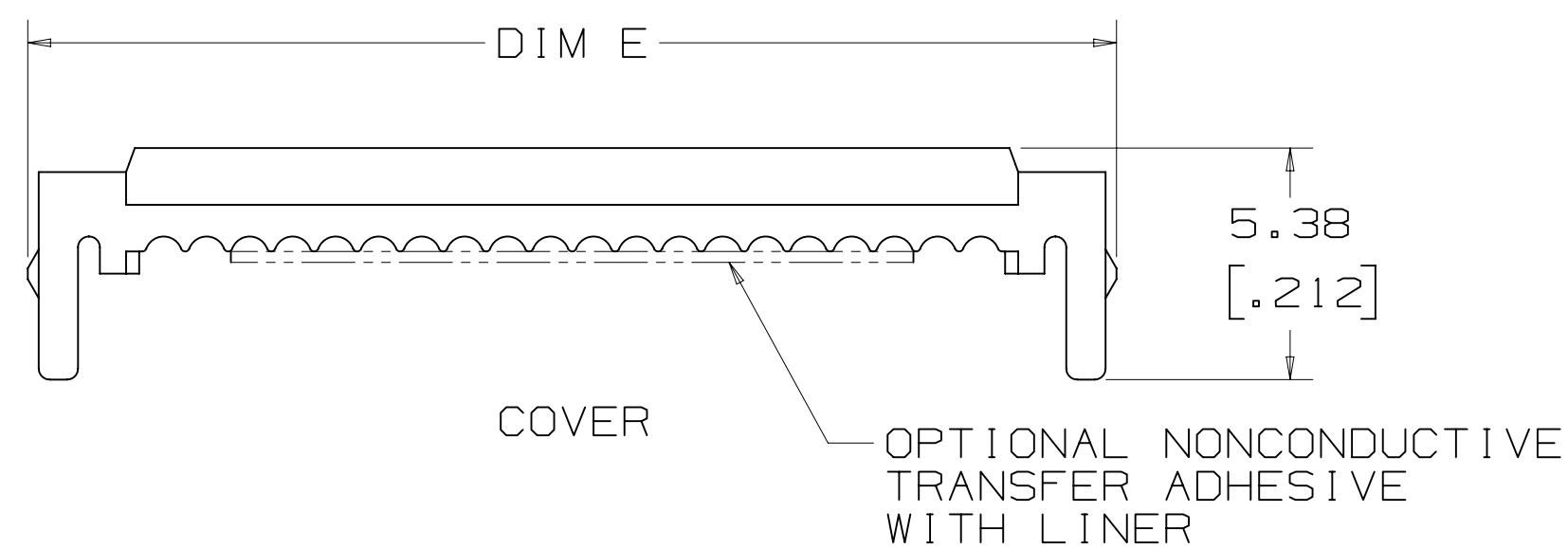
3M™ Ribbon Cable Socket 2 mm X 2 mm Pitch 158 Series



PREASSEMBLED HEIGHT WITH COVER



ASSEMBLED HEIGHT WITH COVER



ASSEMBLED HEIGHT WITH COVER AND STRAIN RELIEF

PERFORMANCE [7][8]	
CURRENT:	1A, 6 LINES ENERGIZED
INSULATION RESISTANCE:	>1X10 ⁹ OHMS AT 500 VDC
WITHSTANDING VOLTAGE:	500 VAC _{rms} AT SEA LEVEL
TEMPERATURE RATING:	-55°C TO +105°C

- NOTES
- MATERIAL:
BODY: HIGH TEMP GLASS FILLED POLYESTER, GRAY UL94V-0
CONTACTS: COPPER ALLOY
 - PLATING:
2.03-3.81 μm [80-150 μin] NICKEL UNDERPLATE
0.38 μm [15 μin] OR 0.76 μm [30 μin] AVG GOLD ON WIPING AREA.
 - RIBBON CABLE:
RECOMMENDED: 3M™ 3625 (28 AWG, 7 STRAND).
 - APPLICATION TOOLS:
3460 PRESS (OR EQUIVALENT) 3443-119 LOCATOR PLATE, 3442-9 PLATEN
SEE 3M INSTRUCTION SHEET 78-9101-2810-3.
 - MATES WITH 3M™ HEADERS 159 SERIES (REFERENCE 3M DRAWING 78-5100-2359-7). (0.51 mm [.020 in] SQ, CROWNED PINS).
 - SEE THE REGULATORY INFORMATION APPENDIX (RIA) IN THE "RoHS COMPLIANCE" SECTION OF WWW.3MCONNECTOR.COM FOR COMPLIANCE INFORMATION (RIA E1 & C1 APPLY).
 - FOR PRODUCT SPECIFICATIONS AND WARRANTY INFORMATION SEE 3M 78-5102-0078-1.
 - IN THE EVENT OF CONFLICT BETWEEN THIS DATA AND THAT CONTAINED IN THE PRODUCT SPECIFICATION, THE PRODUCT SPECIFICATION TAKES PRECEDENT.

DESIGN REFERENCE	NEXT ASSEMBLY	REV	ECO	ISSUE DATE AND DESCRIPTION	DRFT	CHKD
DIVISION	DIVISION CODE	DATE	DATE	DATE	DATE	DATE
DO NOT SCALE DRAWING	SCALE 6-1	TOLERANCES EXCEPT AS NOTED				
THIRD ANGLE PROJECTION	INTERPRET PER ASME Y14.5 - 1994	MILLIMETERS	© 3M COPYR [GHT] 2010 This document and the information it contains are 3M property and may not be reproduced or further distributed without 3M permission, or used or disclosed other than for 3M authorized purposes. All rights reserved.			
MAX SURFACE ROUGHNESS	ALL SURFACES	INCHES	TITLE 3M RIBBON CABLE SOCKET 2 MM x 2 MM PITCH 158 SERIES			
125	<input checked="" type="checkbox"/> MARKED ONLY	ANGLES ±1°	CAGE NUMBER	SIZE	DRAWING NO.	REV.
			D		78-5100-2358-9	B
			MODEL	ISSUES	YES	NO
						SHT 1 OF 2

METRIC [ENGLISH]

78-5100-2358-9

Mouser Electronics

Authorized Distributor

Click to View Pricing, Inventory, Delivery & Lifecycle Information:

3M:

[158208-0320](#) [158210-0320](#) [158106-1100](#) [158108-1100](#) [158110-1100](#) [158112-1100](#) [158114-1100](#) [158116-1100](#)
[158120-1100](#) [158122-1100](#) [158124-1100](#) [158126-1100](#) [158130-1100](#) [158134-1100](#) [158140-1100](#) [158144-1100](#)
[158150-1100](#) [158206-002015](#) [158206-0120](#) [158206-012015](#) [158208-0120](#) [158208-012015](#) [158210-0120](#) [158210-012015](#) [158212-0120](#) [158212-012015](#) [158214-0120](#) [158214-012015](#) [158216-0120](#) [158216-012015](#) [158220-0120](#)
[158220-012015](#) [158222-0120](#) [158222-012015](#) [158224-0120](#) [158224-012015](#) [158226-0120](#) [158226-012015](#)
[158230-0120](#) [158230-012015](#) [158234-0120](#) [158234-012015](#) [158240-0120](#) [158240-012015](#) [158244-0120](#) [158244-012015](#) [158250-0120](#) [158250-012015](#) [158306-211015](#) [158308-211015](#) [158310-211015](#) [158312-211015](#) [158314-211015](#) [158316-211015](#) [158320-211015](#) [158322-211015](#) [158324-211015](#) [158326-211015](#) [158330-211015](#) [158334-211015](#) [158340-211015](#) [158344-211015](#) [158350-211015](#) [3448-15808](#) [3448-15810](#) [3448-15820](#) [3448-15826](#) [3448-15834](#) [3448-15850](#) [158216-0220](#) [158206-0320](#) [158224-0220](#) [158244-022015](#)