

RoHS Compliant

**Industrial Secure Digital Card
Specifications**

January 3rd, 2012

Version 1.0



Apacer Technology Inc.

4th Fl., 75 Hsin Tai Wu Rd., Sec.1, Hsichih, New Taipei City, Taiwan 221

Tel: +886-2-2698-2888 Fax: +886-2-2689-2889

www.apacer.com

FEATURES:

- **Fully compatible with SD card standard specification**
 - SD Memory Card Specifications, Part 1, Physical Layer Specification, Version 2.00
 - SD Memory Card Specifications, Part 2, File System Specification, Version 2.00
 - SD Memory Card Specifications, Part 3, Security Specification, Version 2.00
- **Capacity**
 - Standard: 256, 512 MB
1, 2 GB
 - SDHC: 4, 8 GB
- **Performance**
 - Sustained read: Up to 20 MB/sec
 - Sustained write: Up to 13 MB/sec
- **SD-protocol compatible**
- **Support SPI mode**
- **Support auto standby and sleep mode**
- **NAND Flash Type: SLC**
- **Variable clock rate 0-50MHz**
- **Intelligent endurance design**
 - Built-in BCH-ECC supports correction up to 24 bits data error per 1K bytes data automatically
 - Implements global wear-leveling algorithms to substantially increase longevity of flash media
 - Flash bad-block management
 - S.M.A.R.T feature supported
- **Temperature ranges**
 - Operating temperature

Standard	0°C ~ 70°C
ET*	-40°C ~ 85°C
 - Storage temperature: -40°C ~ 100°C
- **Low power consumption**
- **Operation voltage: 2.7V ~ 3.6V**
- **Physical dimension: 24mm x 32mm x 2.1mm**
- **RoHS Compliant**

*Extended Temperature

TABLE OF CONTENTS

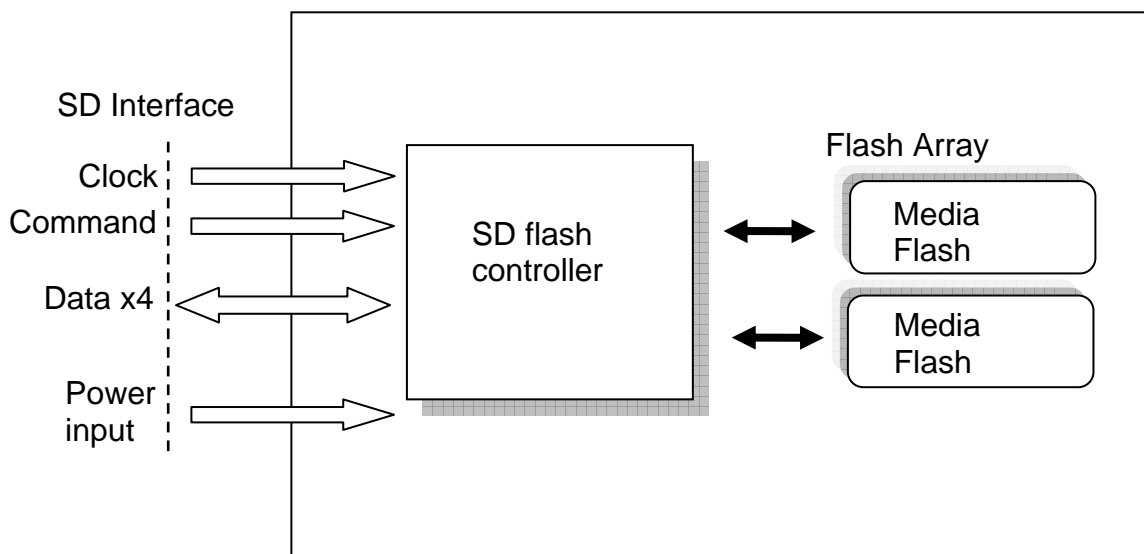
1. General Description	3
1.1 PRODUCT FUNCTION BLOCK	3
1.2 FUNCTIONAL DESCRIPTION	3
1.2.1 <i>Flash Management</i>	4
1.2.2 <i>Powerful ECC Algorithms</i>	4
1.2.3 <i>Power Management</i>	4
1.2.4 <i>S.M.A.R.T</i>	4
2. Electrical characteristics	5
2.1 CARD ARCHITECTURE	5
2.2 PIN ASSIGNMENT	5
2.3 CAPACITY SPECIFICATION	6
2.4 PERFORMANCE	6
2.5 ABSOLUTE MAXIMUM RATINGS	7
2.6 POWER CONSUMPTION	7
3. Physical Characteristics	8
3.1 PHYSICAL DIMENSION	8
3.2 SYSTEM RELIABILITY	10
3.3 ENVIRONMENTAL SPECIFICATIONS	10
4. Product Ordering Information	11
4.1 PRODUCT CODE DESIGNATIONS	11
4.2 VALID COMBINATIONS	12
4.2.1 <i>Standard Temperature</i>	12
4.2.2 <i>Extended Temperature</i>	12

1. General Description

As the demand of reliable and high-performance data storage in a small form factor increases, Apacer's embedded SD card is designed specifically for rigorous applications by offering maximum endurance, reliability, and agility, where extreme traceability, enhanced data integrity, and exceptionally velocity are required.

1.1 Product Function Block

The embedded SD contains a flash controller and flash media with SD standard interface.



1.2 Functional description

The embedded SD device contains a high level, intelligent subsystem that provides many capabilities including:

- Powerful ECC algorithms
- Global wear-leveling algorithms
- Power management for low power operation

1.2.1 Flash Management

The SD controller contains logic/physical flash block mapping and bad block management system. It will manage all flash block include user data space and spare block.

The embedded SD also contains a sophisticated defect and error management system. It does a read after write under margin conditions to verify that the data is written correctly (except in the case of write pre-erased sectors). In case that a bit is found to be defective, the embedded SD replaces this bad bit with a spare bit within the sector header. If necessary, the embedded SD will even replace the entire sector with a spare sector. This is completely transparent to the master (host device) and does not consume any user data space.

1.2.2 Powerful ECC Algorithms

The powerful ECC algorithms will enhance flash block use rate and whole device life. The SD controller has an innovative algorithm to recover the data. Built-in BCH-ECC supports correction up to 24 bits data error per 1K bytes data automatically

1.2.3 Power Management

A power saving feature of the embedded SD is automatic entrance and exit from sleep mode. Upon completion of an operation, the embedded SD will enter the sleep mode to conserve power if no further commands are received within X seconds, where X is programmable by software. The master does not have to take any action for this to occur. The embedded SD is in sleep mode except when the host is accessing it, thus conserving power.

Any command issued by the master to the embedded SD will cause it to exit sleep mode and response to the master.

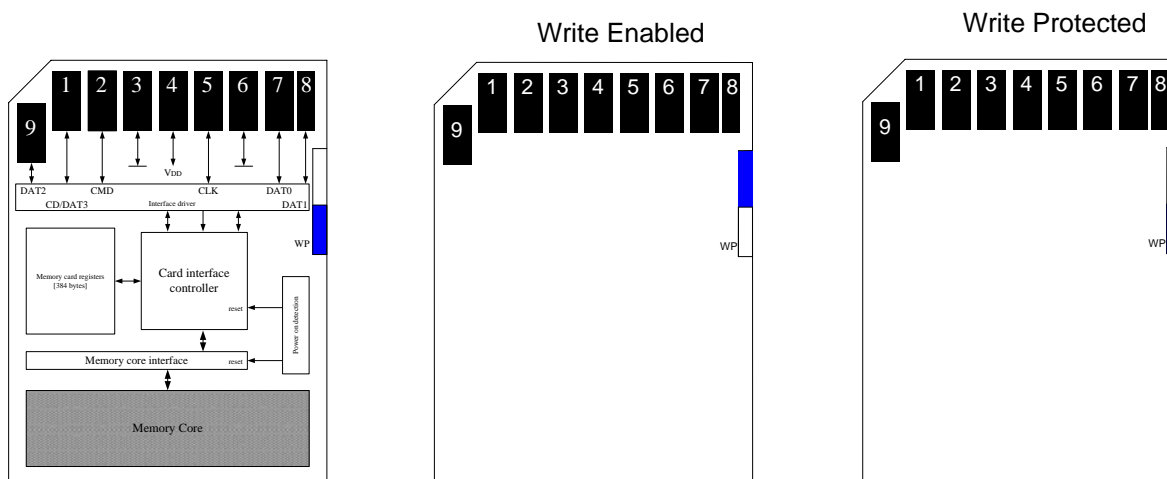
1.2.4 S.M.A.R.T

S.M.A.R.T. (SMART), an acronym stands for Self-Monitoring, Analysis and Reporting Technology, is an open standard allowing an individual disk drive in the ATA/IDE or SCSI interface to automatically monitor its own health and report potential problems in order to prevent data loss. This failure warning technology provides predictions from unscheduled downtime by observing and storing critical drive performance and calibration parameters. Ideally, this should allow taking hands-on actions to keep from impending drive failure.

Failures are divided into two categories: those that can be predicted and those that cannot. Predictable failures occur gradually over time, and the decline in performance can be detected; on the other hand, unpredictable failures happen very sudden without any warning. These failures may be caused by power surges or related to electronic components. The purpose of the SMART implementation is to predict near-term failures of each individual disk drive and generate a warning to prevent unfortunate loss.

2. Electrical characteristics

2.1 Card Architecture



2.2 Pin Assignment

Pin	SD Mode		SPI Mode	
	Name	Description	Name	Description
1	CD/DAT3	Card detect/Data line[Bit 3]	CS	Chip select
2	CMD	Command/Response	DI	Data in
3	VSS1	Supply voltage ground	VSS	Supply voltage ground
4	VDD	Supply voltage	VDD	Supply voltage
5	CLK	Clock	SCLK	Clock
6	VSS2	Supply voltage ground	VSS2	Supply voltage ground
7	DAT0	Data line[Bit 0]	DO	Data out
8	DAT1	Data line[Bit 1]	Reserved	
9	DAT2	Data line[Bit 2]	Reserved	

2.3 Capacity Specification

The Embedded SD product family is available as the table below. The following table shows the specific capacity. (Follow SDA rule to do format)

Capacity	Total (LBA) Sectors	Total Partition Sectors	User Data Sectors	User Data Bytes
256 MB	499,712	499,611	499,456	255,721,472
512 MB	1,003,520	1,003,287	1,003,008	513,540,096
1 GB	2,000,896	2,000,651	2,000,128	1,024,065,536
2 GB	4,009,984	4,009,739	4,009,216	2,052,718,592
4 GB	8,019,968	8,011,776	8,003,584	4,097,835,008
8 GB	16,039,936	16,031,744	16,023,552	8,204,058,624

2.4 Performance

Performances of Embedded SD are shown in the table below.

Capacity \ Performance	256 MB	512 MB	1 GB	2 GB	4 GB	8 GB
Sustained Read (MB/s)	18	19	20	20	20	18
Sustained Write (MB/s)	7	7	10	13	12	13

Note: Performances vary from flash configurations.

2.5 Absolute Maximum Ratings

Symbol	Parameter	Min.	Typ.	Max.	Unit
Vcc	Power Supply Voltage	2.7	3.3	3.6	V
Vss	Power Supply Voltage	0	0	0	V

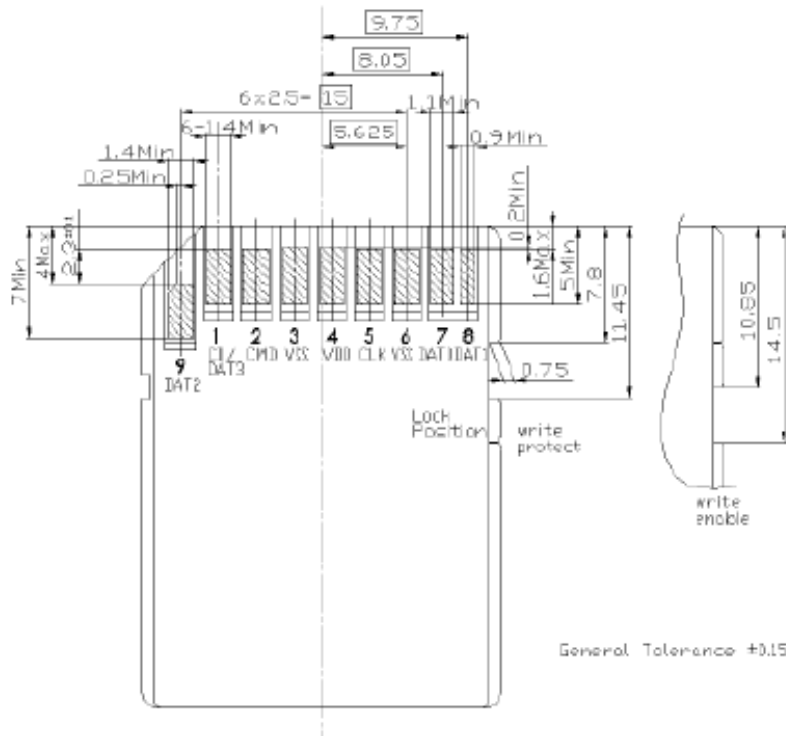
2.6 Power consumption

VCC 2.7V – 3.6V			
Mode	Value	Unit	Average
Standby	94	μ A	Max.
Read	10	mA	Typical
Write	15	mA	Typical

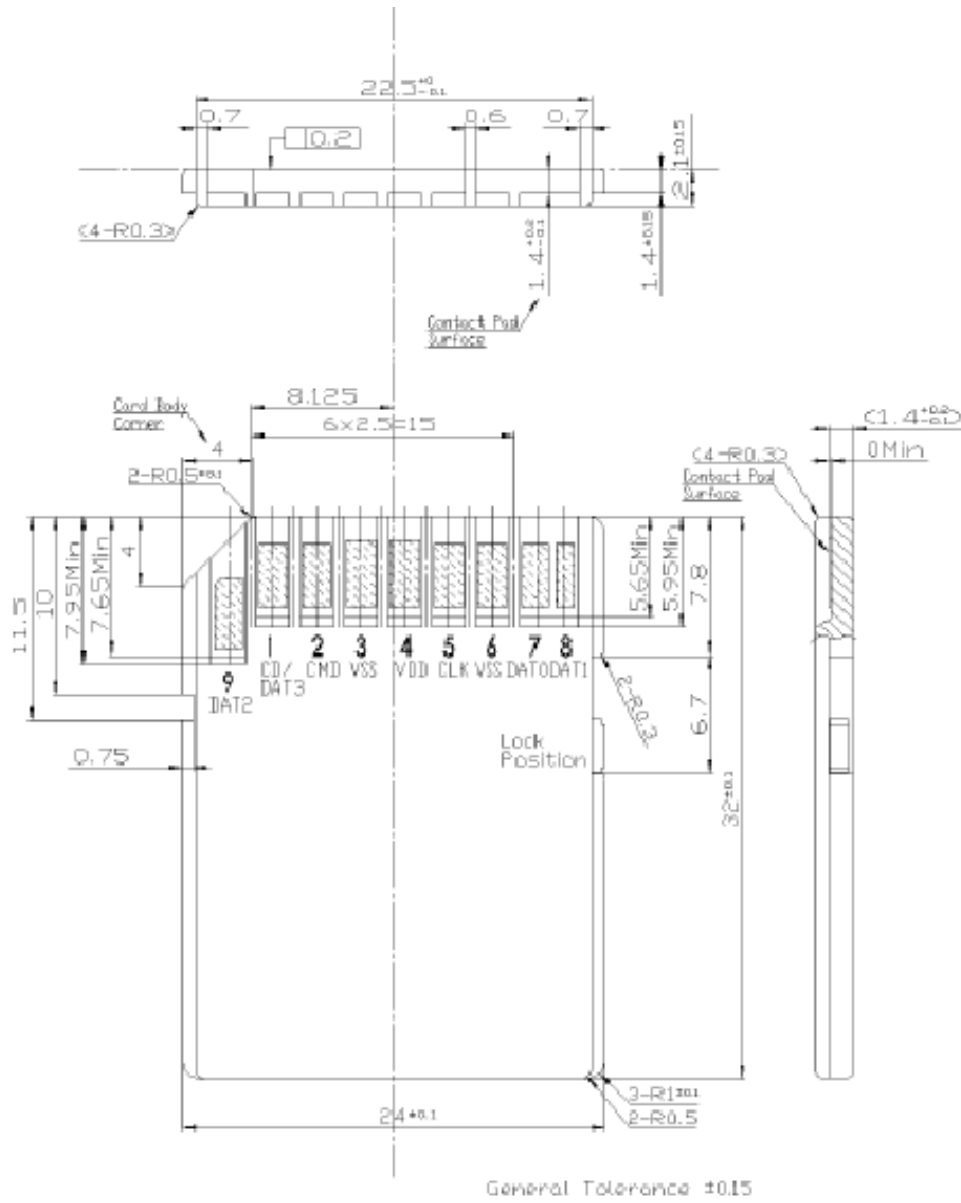
3. Physical Characteristics

3.1 Physical Dimension

Dimensions Card Package	24 mm x 32 mm Min. 23.9 mm x 31.9 mm Max. 24.1 mm x 32.1 mm
Thickness	2.1 mm ± 0.15 mm
Surface	Plain (except contact area)
Edges	Smooth edges



Industrial Secure Digital Card AP-ISDxxxXXXX-1X



3.2 System Reliability

Durability	10,000 mating cycles
Data reliability	<1 non-recoverable error 10 ¹⁴ bits read

3.3 Environmental Specifications

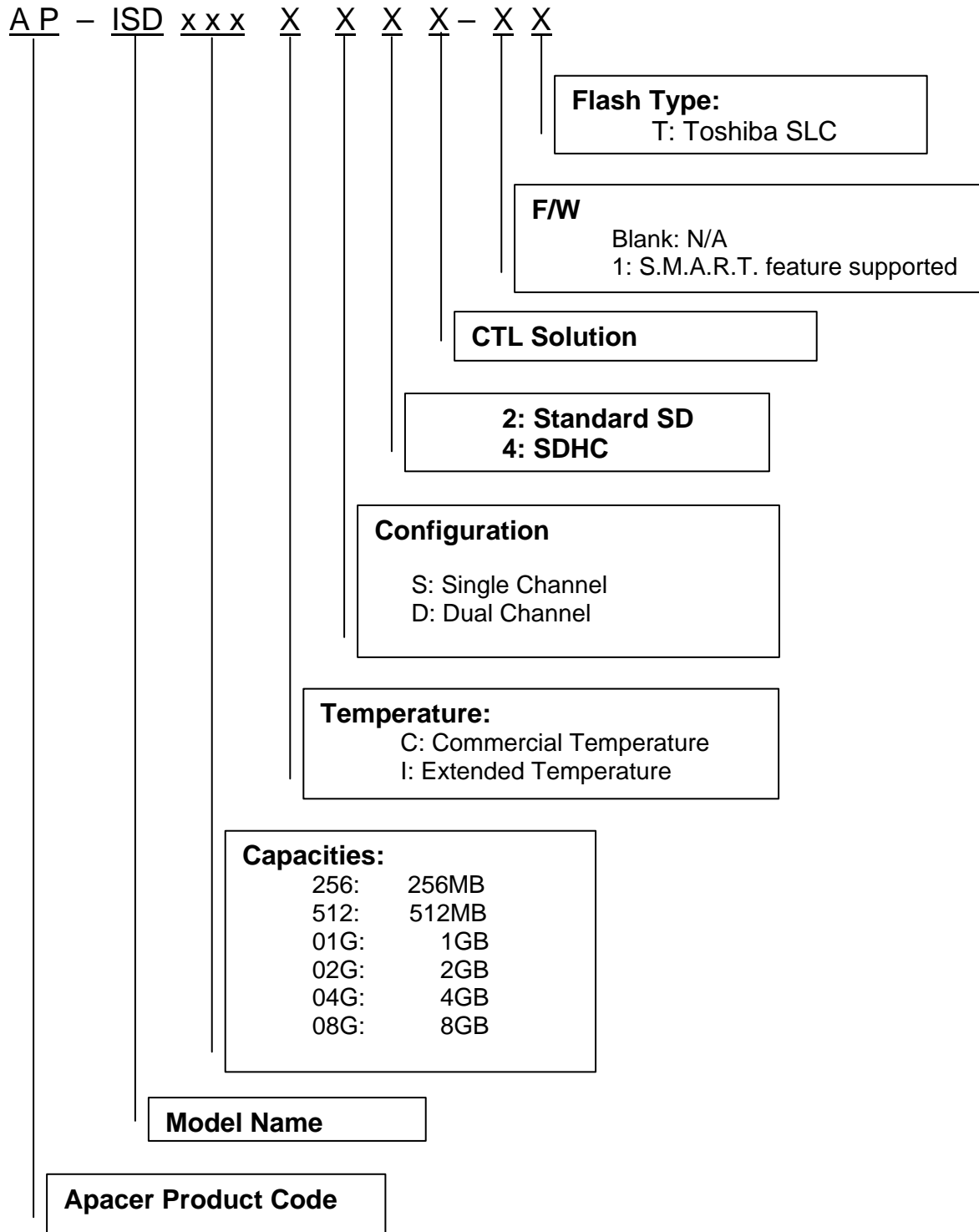
Environmental Specification

Temperature	Operating	Standard: 0°C to 70°C/ ET*: -40°C to 85°C
	Storage	-40°C to 100°C
Humidity	Operating	25°C - 95%RH non-condensing
	Non-operating	40°C - 93%RH non-condensing
Minimum moving force of WP switch	Non-operating	Moving Force:40gf.(Ensures that the WP switch will not slide while it is inserted to the connector)
WP Switch cycles	Non-operating	Minimum 1,000 Cycles (@ Slideforce:0.4N~5N)

*Extended Temperature

4. Product Ordering Information

4.1 Product Code Designations



4.2 Valid Combinations

4.2.1 Standard Temperature

Capacity	AP/N
256 MB	AP-ISD256CS2A-1T
512 MB	AP-ISD512CS2A-1T
1 GB	AP-ISD01GCS2A-1T
2 GB	AP-ISD02GCS2A-1T
4 GB	AP-ISD04GCS4A-1T
8 GB	AP-ISD08GCD4A-1T

4.2.2 Extended Temperature

Capacity	AP/N
256 MB	AP-ISD256IS2B-1T
512 MB	AP-ISD512IS2B-1T
1 GB	AP-ISD01GIS2B-1T
2 GB	AP-ISD02GIS2B-1T
4 GB	AP-ISD04GIS4B-1T
8 GB	AP-ISD08GID4B-1T

Note: Valid combinations are those products in mass production or will be in mass production. Consult your Apacer sales representative to confirm availability of valid combinations and to determine availability of new combinations.

Revision History

Revision	Description	Date
1.0	Official release	1/3/2012

Global Presence

Taiwan (Headquarters)	Apacer Technology Inc. 4 th Fl., 75 Hsin Tai Wu Rd., Sec.1 Hsichih, New Taipei City Taiwan 221 R.O.C. Tel: +886-2-2698-2888 Fax: +886-2-2698-2889 amtsales@apacer.com
U.S.A.	Apacer Memory America, Inc. 386 Fairview Way, Suite102, Milpitas, CA 95035 Tel: 1-408-518-8699 Fax: 1-408-935-9611 sa@apacerus.com
Japan	Apacer Technology Corp. 5F, Matsura Bldg., Shiba, Minato-Ku Tokyo, 105-0014, Japan Tel: 81-3-5419-2668 Fax: 81-3-5419-0018 jpservices@apacer.com
Europe	Apacer Technology B.V. Science Park Eindhoven 5051 5692 EB Son, The Netherlands Tel: 31-40-267-0000 Fax: 31-40-267-0000#6199 sales@apacer.nl
China	Apacer Electronic (Shanghai) Co., Ltd 1301, No.251,Xiaomujiao Road, Shanghai, 200032, China Tel: 86-21-5529-0222 Fax: 86-21-5206-6939 sales@apacer.com.cn
India	Apacer Technologies Pvt Ltd, #1064, 1st Floor, 7th 'A' Main, 3rd Block Koramangala, Bangalore – 560 034 Tel: +91 80 4152 9061/62/63 Fax: +91 80 4170 0215 sales_india@apacer.com

Mouser Electronics

Authorized Distributor

Click to View Pricing, Inventory, Delivery & Lifecycle Information:

[Apacer:](#)

[AP-ISD01GCS2A-T](#) [AP-ISD01GIS2B-T](#) [AP-ISD02GCS2A-T](#) [AP-ISD02GIS2B-T](#) [AP-ISD04GCS4A-T](#) [AP-ISD04GIS4B-T](#) [AP-ISD08GCD4A-T](#) [AP-ISD08GID4B-T](#) [AP-ISD256IS2B-T](#) [AP-ISD512CS2A-T](#) [AP-ISD512IS2B-T](#)