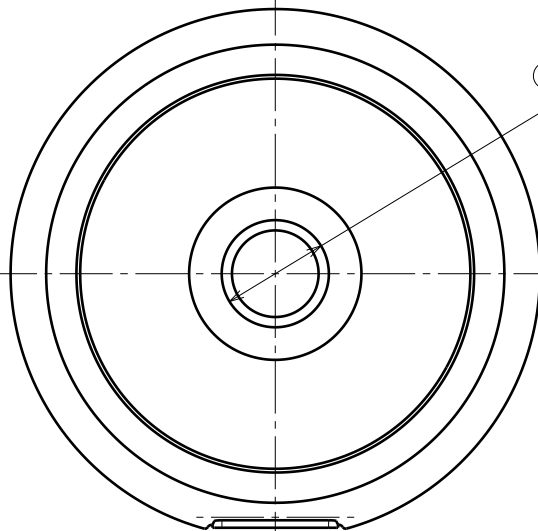
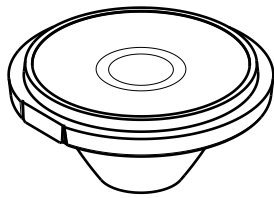


D

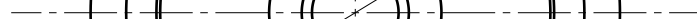
C

B

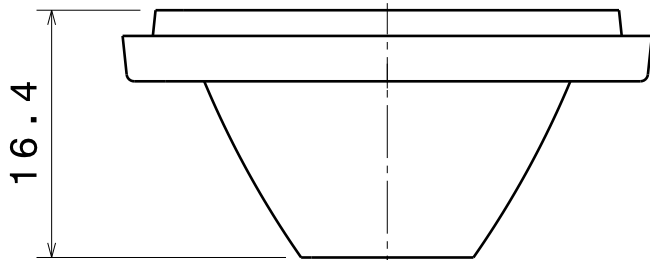
A



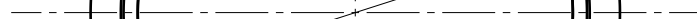
Ø 7.1



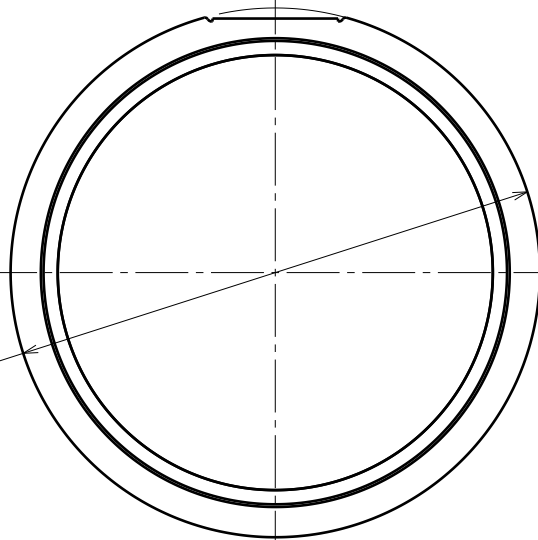
Ø 30.6



16.4



Ø 35



Top view

Material: PMMA

This drawing is our property.
It can't be reproduced
or communicated without
our written agreement.



Ledil Oy
Tehdaskatu 13
FIN-24100 SALO
Finland

DRAWING TITLE

Datasheet Eva Medium Lens

DRAWN BY
PV

DATE
05.09.2008

CHECKED BY
hh

DATE
04.09.2008

SIZE
A4

DRAWING NUMBER
10685

REV
1.0

DESIGNED BY
HH

DATE
26.08.2008

SCALE

2:1

WEIGHT (g)

SHEET

1/1

D

A

4

3

2

1

1

Mouser Electronics

Authorized Distributor

Click to View Pricing, Inventory, Delivery & Lifecycle Information:

[Ledi:](#)

[C10685_EVA-M](#)