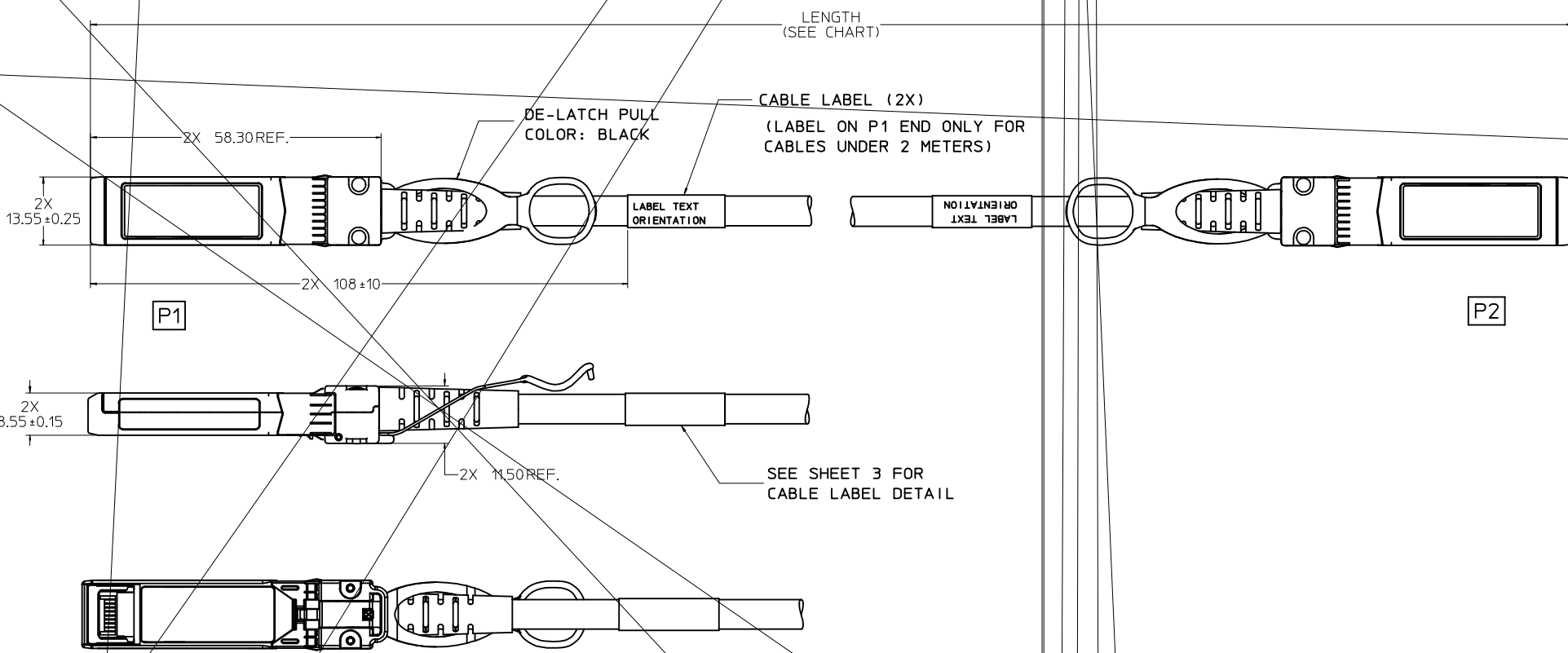


20 19 18 17 16 15 14 13 12 11 10 9 8 7 6 5 4 3 2 1



NOTES:

1. MATERIALS  
 BACKSHELLS - NICKEL PLATED ZINC  
 DE-LATCH - PLASTIC  
 PCB - HALOGEN FREE, UL94 V-0  
 RIVETS - STAINLESS STEEL
2. IMPEDANCE - 100 OHMS DIFFERENTIAL, PASSIVE
3. PULL TO RELEASE, PLUNGER STYLE LATCH
4. EACH ASSEMBLY HAS A SERIAL ID
5. RoHS COMPLIANT, NO EXEMPTIONS.

UPDATED P/N TABLE	DATE
EC NO: 1162016-1795	2015/10/27
DRWN: WALLCOY	
CHKD:	
APPR: CHIRSCHY	2015/10/28
REV:	DESCRIPTION

QUALITY SYMBOLS	
0	4 PLACES ±
▽	2 PLACES ±
▽	1 PLACE ±
0	0 PLACE ±

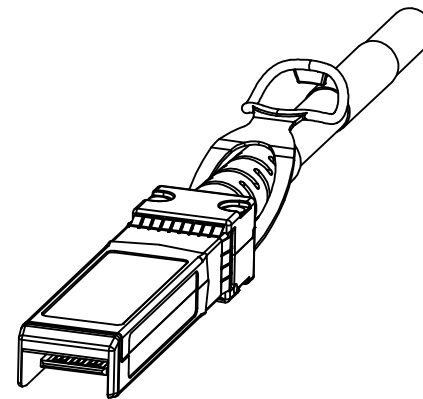
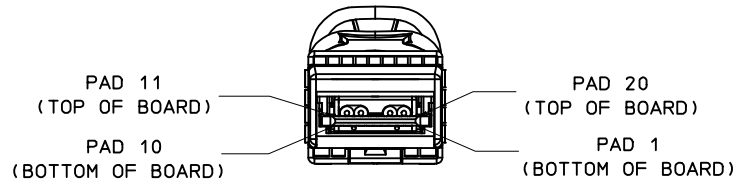
GENERAL TOLERANCES (UNLESS SPECIFIED)	
mm	INCH
±0.13	±---
±0.25	±---
±	±---
±	±---
ANGULAR ± 2 °	
DRAFT WHERE APPLICABLE MUST REMAIN WITHIN DIMENSIONS	

DIMENSION STYLE	SCALE	DESIGN UNITS	THIRD ANGLE PROJECTION
MM ONLY	2.5:1	METRIC	
DRAWN BY	DATE	TITLE	
BCHEN06_USY	2014/10/07	ZSFP± TO ZSFP± 28G	
CHECKED BY	DATE	PASSIVE CABLE ASSEMBLY	
APPROVED BY	DATE		
BHATFIELD	2014/10/07		
CHIRSCHY	2015/07/28		
MATERIAL NO.	DOCUMENT NO.	SHEET NO.	
SEE P/N TABLE	SD-11145-0001	1 OF 3	
THIS DRAWING CONTAINS INFORMATION THAT IS PROPRIETARY TO MOLEX INCORPORATED AND SHOULD NOT BE USED WITHOUT WRITTEN PERMISSION			

19 18 17 16 15 14 13 12 11 10 9 8 7 6 5 4 3 2 1

WIRING DIAGRAM					
P1 END			P2 END		
PAD	SIGNAL		PAD	SIGNAL	
12	RD-	<----	19	TD-	
13	RD+	<----	18	TD+	
18	TD+	---->	13	RD+	
19	TD-	---->	12	RD-	
02	Tx_Fault	NC	NC	02	Tx_Fault
03	Tx_Disable	NC	NC	03	Tx_Disable
04	SDA	■	■	04	SDA
05	SCL	■	■	05	SCL
06	Mod_ABS	NC	NC	06	Mod_ABS
07	RS0	NC	NC	07	RS0
08	Rx_LOS	NC	NC	08	Rx_LOS
09	RS1	NC	NC	09	RS1
15	VccR	NC	NC	15	VccR
16	VccT	NC	NC	16	VccT

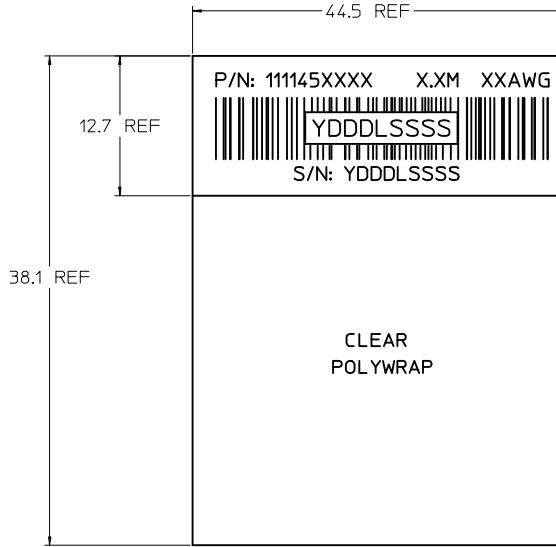
LEGEND:  
 ----> = THRU LINES  
 NC = NOT CONNECTED  
 ■ = CONNECTION TO A DEVICE ON THE PCB



<b>UPDATED P/N TABLE</b> IEC NO: CPG2016-1793 DRAWN: WALLACE01 2015/10/27 CHKD: APPR: CHIRSCHY 2015/10/28 REV DESCRIPTION	QUALITY SYMBOLS	GENERAL TOLERANCES (UNLESS SPECIFIED)	DIMENSION STYLE	SCALE	DESIGN UNITS	THIRD ANGLE PROJECTION	
	▽=0	4 PLACES ± mm ± INCH	MM ONLY	4:1	METRIC	☉	
	▽=0	3 PLACES ± 0.13 ± 0.005					
	▽=0	2 PLACES ± 0.25 ± 0.010					
		ANGULAR ± 2 °					
		DRAFT WHERE APPLICABLE MUST REMAIN WITHIN DIMENSIONS	SEE P/N TABLE				
			MATERIAL NO.	DOCUMENT NO.			
			SD-111145-0001				
						SHEET NO. 2 OF 3	
			THIS DRAWING CONTAINS INFORMATION THAT IS PROPRIETARY TO MOLEX INCORPORATED AND SHOULD NOT BE USED WITHOUT WRITTEN PERMISSION				

CABLE ID LABEL

PART NUMBER	LENGTH	TOL.	AWG
1111451051	0.5M	±0.05M	30
1111451101	1.0M	±0.05M	30
1111451201	2.0M	±0.05M	30
1111451251	2.5M	±0.05M	30
1111451301	3.0M	±0.05M	30
1111453201	2.0M	±0.05M	26
1111453301	3.0M	±0.05M	26
1111453401	4.0M	±0.05M	26
1111453501	5.0M	±0.08M	26



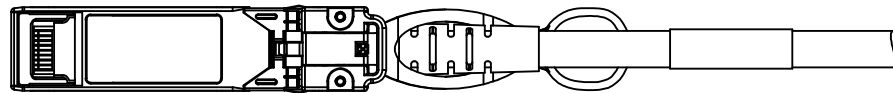
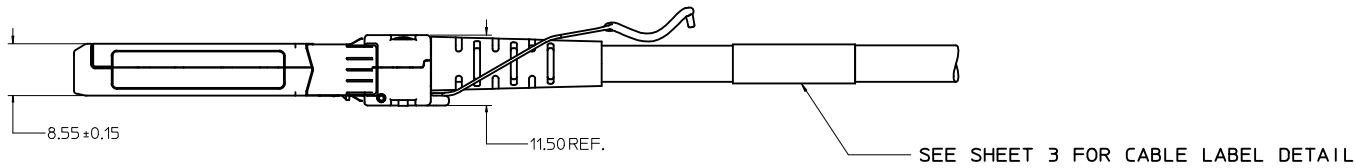
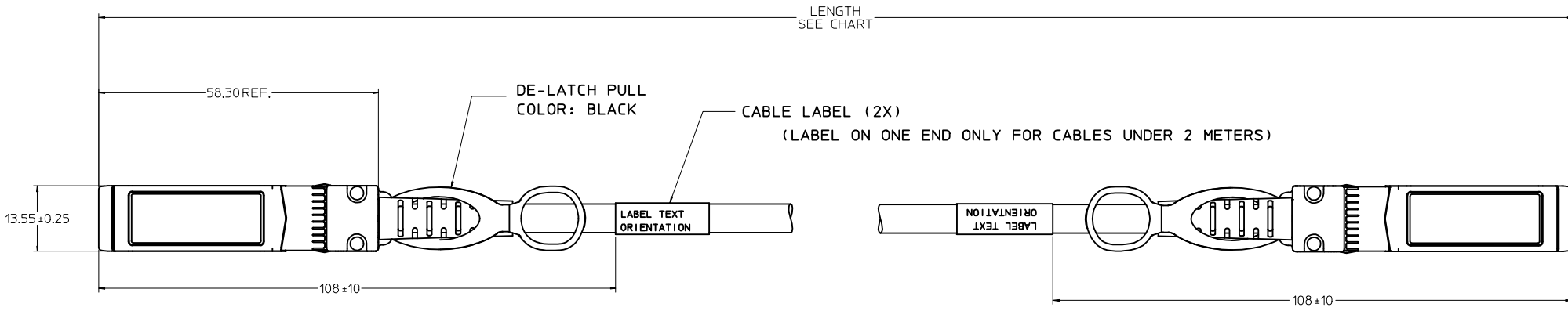
P/N: SEE TABLE  
 S/N: Y = YEAR, LAST DIGIT OF YEAR  
 DDD = DAY OF THE YEAR  
 L = LOCATION - 1 = USA  
 2 = MEXICO  
 3 = CHINA  
 4 = PHILIPPINES

SSSS = SERIAL NUMBER  
 X.XM: CABLE LENGTH, SEE TABLE  
 XXAWG: WIRE GAGE, SEE TABLE

(DATE CODE ISO-8601 FORMAT)

NOTES :  
 CUSTOM CABLE LENGTH AND GAUGE AVAILABLE UPON REQUEST

UPDATED P/N TABLE EC NO: CPG2016-1793 DRW: WALLACE01 2015/10/27 CHKD: APPR: CHIRSCHY 2015/10/28	QUALITY SYMBOLS	GENERAL TOLERANCES (UNLESS SPECIFIED)	DIMENSION STYLE	SCALE	DESIGN UNITS	THIRD ANGLE PROJECTION	
	▽=0	4 PLACES ± mm INCH	MM ONLY	1:1	METRIC	☉	
	▽=0	3 PLACES ± 0.13					
	▽=0	2 PLACES ± 0.25					
		ANGULAR ± 2 °					
		DRAFT WHERE APPLICABLE MUST REMAIN WITHIN DIMENSIONS	SEE P/N TABLE				
			MATERIAL NO.	DOCUMENT NO.		SHEET NO.	
			SD-111145-0001	SD-111145-0001		3 OF 3	
			THIS DRAWING CONTAINS INFORMATION THAT IS PROPRIETARY TO MOLEX INCORPORATED AND SHOULD NOT BE USED WITHOUT WRITTEN PERMISSION				



**NOTES:**

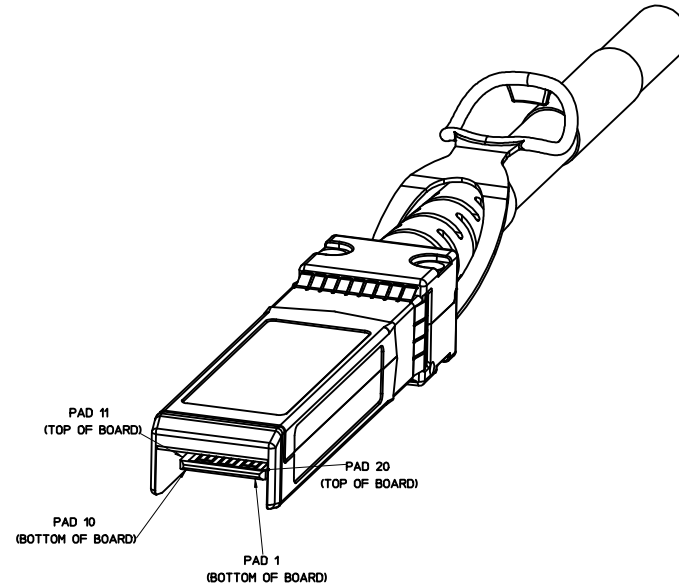
1. MATERIALS  
 BACKSHELLS - NICKEL PLATED ZINC  
 DE-LATCH - PLASTIC  
 PCB - FR-4  
 RIVETS - STAINLESS STEEL
2. IMPEDANCE - 100 OHMS DIFFERENTIAL, PASSIVE
3. PULL TO RELEASE, PLUNGER STYLE LATCH
4. EACH ASSEMBLY HAS A SERIAL ID
5. 11.09 Gbps BACKWARDS COMPATIBLE TO 1.0625 Gbps
6. RoHS COMPLIANT, NO EXEMPTIONS.

<b>SEE REV HISTORY</b> IEC NO: CPG2016-0706 DRWN:GBARELLA 2015/08/13 CHY:KEMENNA 2015/08/13 APPR:ARVIBURN 2015/08/13 REV:	QUALITY SYMBOLS	GENERAL TOLERANCES (UNLESS SPECIFIED)	DIMENSION STYLE	SCALE	DESIGN UNITS	THIRD ANGLE PROJECTION
	▽=0	mm INCH	MM ONLY	2.5:1	METRIC	
	▽=0	4 PLACES ± ---				
	▽=0	3 PLACES ± ---				
		ANGULAR ± 2 °				
		DRAFT WHERE APPLICABLE MUST REMAIN WITHIN DIMENSIONS				
			DRAWN BY: JERWIN	DATE: 2007/01/30	TITLE: SFP+ 10G PASSIVE CABLE ASSEMBLY	
			CHECKED BY: K LLOYD	DATE: 2007/01/30		
			APPROVED BY: RMAHMOOD	DATE: 2007/01/30		
			MATERIAL NO.	DOCUMENT NO.	SHEET NO.	
			<b>SEE SHEET 3</b>	SD-74752-001	1 OF 4	
			THIS DRAWING CONTAINS INFORMATION THAT IS PROPRIETARY TO MOLEX INCORPORATED AND SHOULD NOT BE USED WITHOUT WRITTEN PERMISSION			

WIRING DIAGRAM				
P1 END			P2 END	
PAD	SIGNAL		PAD	SIGNAL
12	RD-	←	19	TD-
13	RD+	←	18	TD+
18	TD+	→	13	RD+
19	TD-	→	12	RD-

LOW SPEED SIGNALS	
SFP+	
PAD	SIGNAL
02	Tx_Fault
03	Tx_Disable
04	SDA
05	SCL
06	Mod_ABS
07	RS0
08	Rx_LOS
09	RS1
15	VccR
16	VccT

SFP+



CUSTOM LENGTHS AVAILABLE.  
LONGER LENGTH APPLICATIONS REQUIRE  
HOST SYSTEM PRE-EMPHASIS AND  
EQUALIZATION.  
SEE DATASHEET FOR MORE INFORMATION.

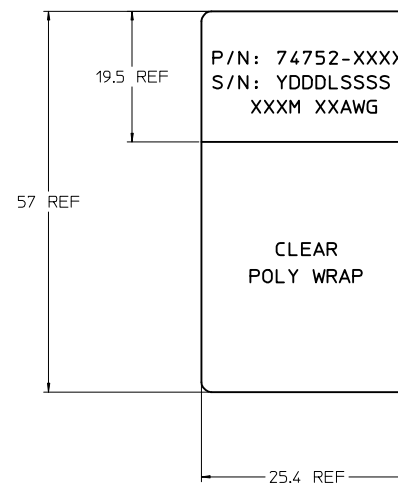
<b>SEE REV HISTORY</b> IEC NO: CPG2016-0706 DRAWN BY: DRWN:GBARDILLA 2015/08/13 CHECKED BY: CHYK:EMEDINA 2015/08/13 APPR:ARAVIURN 2015/08/13	<b>QUALITY SYMBOLS</b> ∇=0 ∇=0 ∇=0	<b>GENERAL TOLERANCES (UNLESS SPECIFIED)</b>		<b>DIMENSION STYLE</b> MM ONLY	SCALE 4:1	DESIGN UNITS METRIC	THIRD ANGLE PROJECTION		
		4 PLACES ± 0.13 ± 0.005 3 PLACES ± 0.25 ± 0.010 2 PLACES ± 0.50 ± 0.020 1 PLACE ± 1.00 ± 0.040 0 PLACE ± 1.50 ± 0.060	mm    INCH	DRAWN BY JERWIN	DATE 2007/01/30	TITLE	SFP+ 10G PASSIVE CABLE ASSEMBLY		
		ANGULAR ± 2 ° DRAFT WHERE APPLICABLE MUST REMAIN WITHIN DIMENSIONS	MATERIAL NO. SEE SHEET 3	APPROVED BY RMAHMOOD	DATE 2007/01/30	DOCUMENT NO. SD-74752-001	SHEET NO. 2 OF 4		
		THIS DRAWING CONTAINS INFORMATION THAT IS PROPRIETARY TO MOLEX INCORPORATED AND SHOULD NOT BE USED WITHOUT WRITTEN PERMISSION							

PART NUMBER CHART

PART NUMBER	LENGTH	TOL.	AWG
747520010	0.3M	±0.03M	32
747520011	0.5M	±0.03M	32
747520012	1.0M	±0.05M	32
747520013	2.0M	±0.05M	32
747520014	3.0M	±0.05M	32
747520015	4.0M	±0.05M	32
747520016	5.0M	±0.08M	32
747521031	0.3M	±0.03M	30
747521051	0.5M	±0.03M	30
747521101	1.0M	±0.05M	30
747521151	1.5M	±0.05M	30
747521201	2.0M	±0.05M	30
747521251	2.5M	±0.05M	30
747521301	3.0M	±0.05M	30
747521401	4.0M	±0.05M	30
747521501	5.0M	±0.08M	30
747521601	6.0M	±0.08M	30
747521701	7.0M	±0.08M	30
747521801	8.0M	±0.08M	30
747521901	9.0M	±0.08M	30
747529001	10.0M	±0.08M	30
747522031	0.3M	±0.03M	28
747522051	0.5M	±0.03M	28
747522101	1.0M	±0.05M	28
747522151	1.5M	±0.05M	28
747522201	2.0M	±0.05M	28
747522301	3.0M	±0.05M	28
747522401	4.0M	±0.05M	28
747522501	5.0M	±0.08M	28
747522701	7.0M	±0.08M	28
747522801	8.0M	±0.08M	28
747522901	9.0M	±0.08M	28
747529002	10.0M	±0.08M	28
747529010	15.0M	±0.08M	28

PART NUMBER	LENGTH	TOL.	AWG
747523051	0.5M	±0.03M	26
747523061	0.6M	±0.03M	26
747523101	1.0M	±0.05M	26
747523201	2.0M	±0.05M	26
747523301	3.0M	±0.05M	26
747523501	5.0M	±0.08M	26
747523701	7.0M	±0.08M	26
747523901	9.0M	±0.08M	26
747529003	10.0M	±0.08M	26
747529225	1.6M	±0.05M	26
747529226	1.75M	±0.05M	26
747529227	2.25M	±0.05M	26
747524051	0.5M	±0.03M	24
747524101	1.0M	±0.05M	24
747524201	2.0M	±0.05M	24
747524301	3.0M	±0.05M	24
747524401	4.0M	±0.05M	24
747524501	5.0M	±0.08M	24
747524541	5.4M	±0.08M	24
747524571	5.7M	±0.08M	24
747524601	6.0M	±0.08M	24
747524701	7.0M	±0.08M	24
747524801	8.0M	±0.08M	24
747524901	9.0M	±0.08M	24
747529004	10.0M	±0.08M	24
747529013	11.0M	±0.08M	24
747529008	12.0M	±0.08M	24
747529015	13.0M	±0.08M	24
747529016	14.0M	±0.08M	24
747529007	15.0M	±0.08M	24

CABLE LABEL DETAIL



YDDDLSSSS  
 Y---YEAR, THE LAST DIGIT OF THE YEAR  
 DDD---DAY OF THE YEAR  
 L---LOCATION (1=US, 2=MEXICO, 3=CHINA, 4=PHILIPPINES)  
 SSSS---SERIAL NUMBER (UNIQUE AT P/N LEVEL ONLY)

XXXM---LENGTH AS SHOWN IN P/N CHART

XXAWG---AWG SIZE

<b>SEE REV HISTORY</b> EC NO: CPG2016-0706 DRAWN BY: DRWNGBARDELLA 2015/08/13 CHECKED BY: CHYKDEMDINA 2015/08/13 APPR: ARABURN 2015/08/13 REV DESCRIPTION	QUALITY SYMBOLS	GENERAL TOLERANCES (UNLESS SPECIFIED)	DIMENSION STYLE	SCALE	DESIGN UNITS	THIRD ANGLE PROJECTION
	▽=0	mm INCH	MM ONLY	1:1	METRIC	☉
	▽=0	4 PLACES ± --- ± ---				
	▽=0	3 PLACES ± 0.13 ± ---				
		ANGULAR ± 2 °	DRAWN BY: JERWIN 2007/01/30	DATE	TITLE	
		DRAFT WHERE APPLICABLE MUST REMAIN WITHIN DIMENSIONS	CHECKED BY: KLOYD 2007/01/30	DATE	SFP+ 10G PASSIVE CABLE ASSEMBLY	
			APPROVED BY: RMAHMOOD 2007/01/30	DATE		
			MATERIAL NO.	DOCUMENT NO.	SHEET NO.	
			SEE CHART	SD-74752-001	3 OF 4	
			THIS DRAWING CONTAINS INFORMATION THAT IS PROPRIETARY TO MOLEX INCORPORATED AND SHOULD NOT BE USED WITHOUT WRITTEN PERMISSION			

