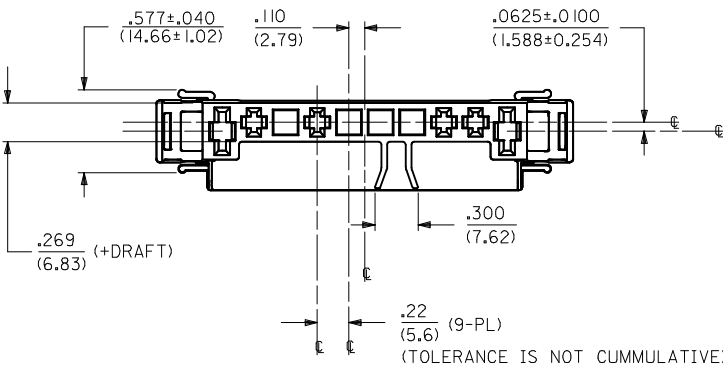
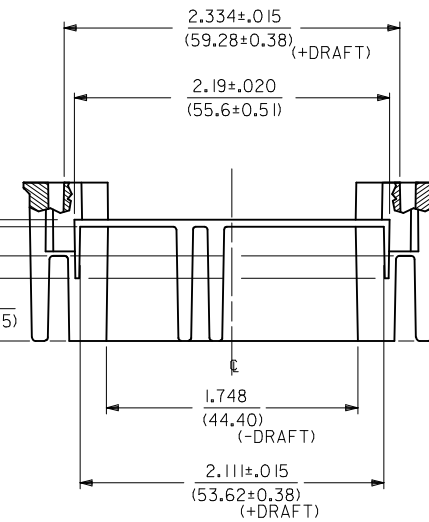
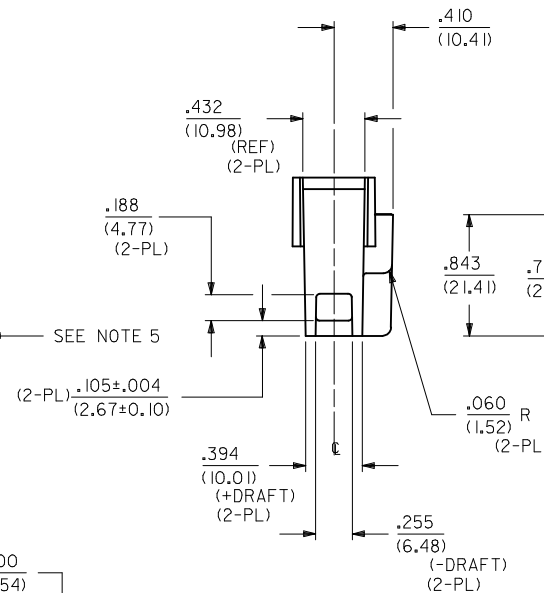
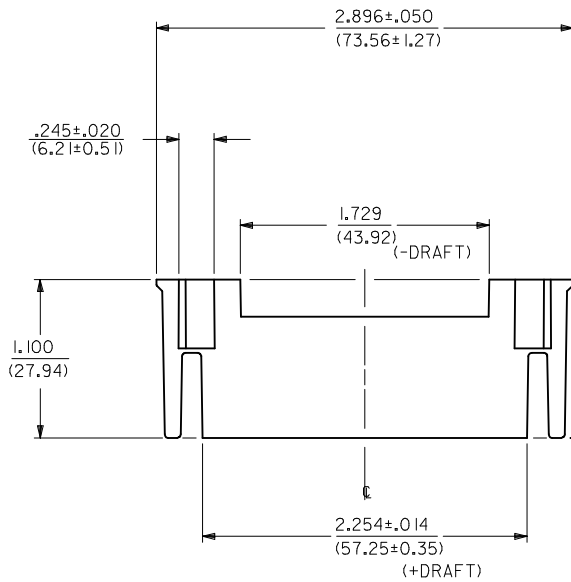
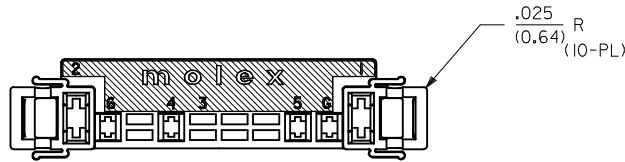


NOTES

1. MATERIAL: NYLON 6/6, 94V-2. COLOR: NATURAL (WHITE/TRANSLUCENT)
2. FINISH: NONE.
3. PRODUCT SPECS: PSX-42865-0001, PSX-42865-0002 & PS-43374-0001 APPLY.
4. PACKAGING SPECS: HOUSINGS ARE PACKED ACCORDING TO PK-42865-001.
5. THE OUTSIDE EDGES ASSOCIATED WITH THIS SURFACE TO HAVE .02/(0.51) RADII.
6. 42865-0001 CONNECTOR HOUSING IS FOR USE WITH TERMINALS:
 - .125/(3.18) SPADE: 1508** & 43374-***1 (4-PL MAX)
 - .250/(6.35) SPADE: 41422-3***5** (2-PL MAX)
7. 42865-0002 CONNECTOR HOUSING IS FOR USE WITH TERMINALS:
 - .125/(3.18) SPADE: 1508** & 43374-***1 (5-PL MAX)
 - .250/(6.35) SPADE: 41422-3***5** (2-PL MAX)
8. PART CONFORMS TO CLASS B REQUIREMENTS OF COSMETIC SPECS PS-45499-002.



42865-0001	006-02-3104
ENG. NO.	PART NO.

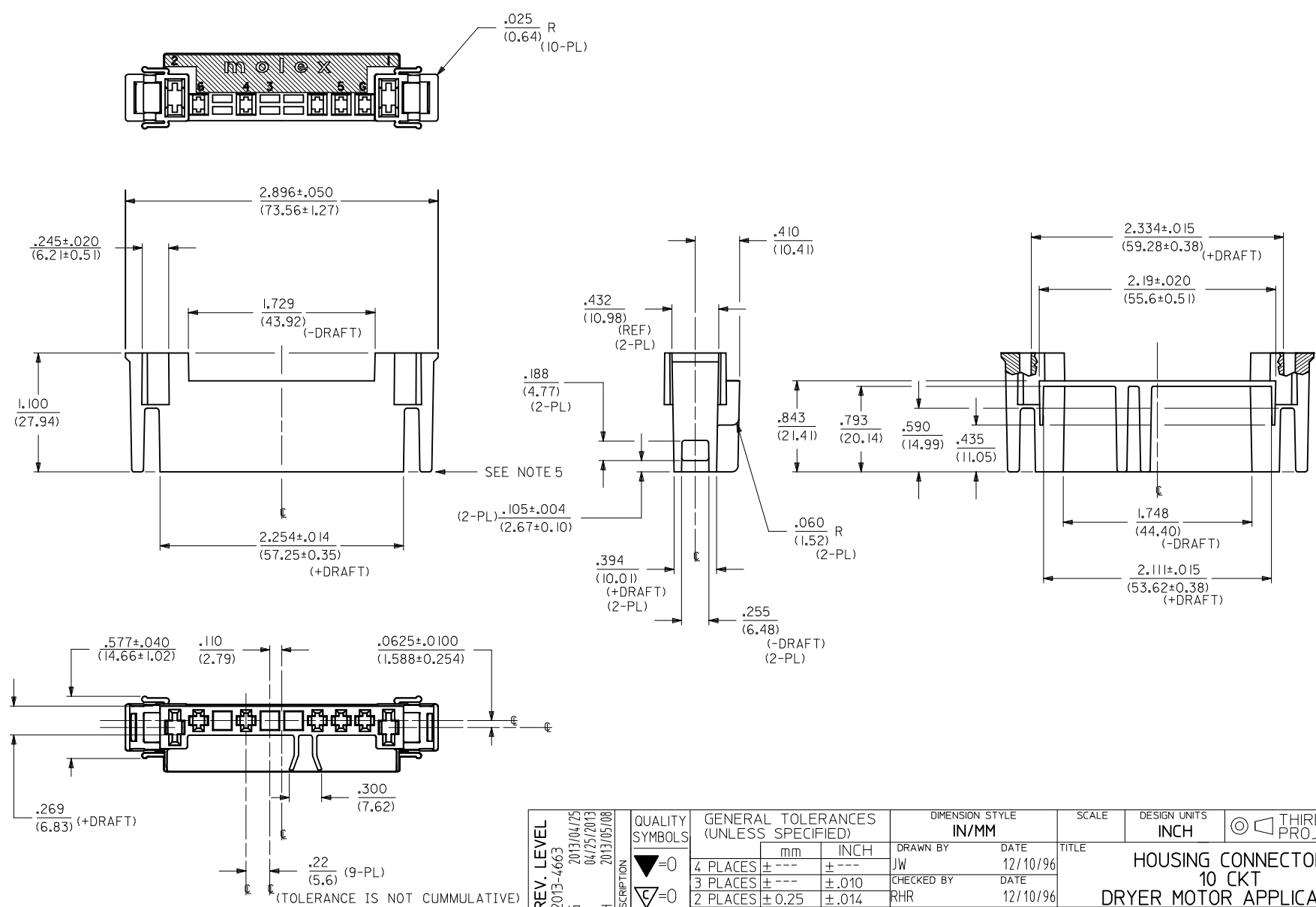
REMOVE SMES-128-A EC NO: UCP2013-4663 DRAWN: ELHAG 2013/04/25 CHKD: J.BELL 04/25/2013 APPR: F.SMITH 2013/05/08	DESCRIPTION
--	-------------

QUALITY SYMBOLS	▽=0	▽=0
-----------------	-----	-----

GENERAL TOLERANCES (UNLESS SPECIFIED)	DRAFT WHERE APPLICABLE MUST REMAIN WITHIN DIMENSIONS												
<table border="1"> <tr> <th colspan="2">DIMENSION STYLE</th> </tr> <tr> <th>IN</th> <th>MM</th> </tr> <tr> <td>4 PLACES ± ---</td> <td>± ---</td> </tr> <tr> <td>3 PLACES ± ---</td> <td>± .010</td> </tr> <tr> <td>2 PLACES ± .025</td> <td>± .014</td> </tr> <tr> <td>1 PLACE ± 0.35</td> <td>± ---</td> </tr> </table>	DIMENSION STYLE		IN	MM	4 PLACES ± ---	± ---	3 PLACES ± ---	± .010	2 PLACES ± .025	± .014	1 PLACE ± 0.35	± ---	ANGULAR ±1/2°
DIMENSION STYLE													
IN	MM												
4 PLACES ± ---	± ---												
3 PLACES ± ---	± .010												
2 PLACES ± .025	± .014												
1 PLACE ± 0.35	± ---												

DRAWN BY	DATE
KBP	10/17/1991
CHECKED BY	DATE
KBP	10/17/1991
APPROVED BY	DATE
RAS	10/17/1991
MATERIAL NO.	DOCUMENT NO.
SEE CHART	SD-42865-0001
SIZE	THIS DRAWING CONTAINS INFORMATION THAT IS PROPRIETARY TO MOLEX INCORPORATED AND SHOULD NOT BE USED WITHOUT WRITTEN PERMISSION

SCALE	DESIGN UNITS	THIRD ANGLE PROJECTION
1:1	INCH	☉
TITLE		
HOUSING, CONNECTOR 10 - CIRCUITS DRYER MOTOR APPLICATION		
MOLEX MOLEX INCORPORATED		
SHEET NO.		1 OF 2



42865-0002	006-02-3105
ENG. NO.	PART NO.

UPDATE REV. LEVEL	2013/04/25
EC NO: UCP2013-4663	04/25/2013
DRWN: AELHAG	CHKD: JBELL
APPR: F.S.MITH	2013/05/08
DESCRIPTION	

QUALITY SYMBOLS	▽=0
▽=0	
GENERAL TOLERANCES (UNLESS SPECIFIED)	
	mm
	INCH
4 PLACES ±	---
3 PLACES ±	---
2 PLACES ±	0.25
1 PLACE ±	0.35
ANGULAR	±1/2°
DRAFT WHERE APPLICABLE	MUST REMAIN WITHIN DIMENSIONS

DIMENSION STYLE	IN/MM
DRAWN BY	JW
DATE	12/10/96
CHECKED BY	RHR
DATE	12/10/96
APPROVED BY	RE
DATE	12/10/96
MATERIAL NO.	SEE CHART
SIZE	C

SCALE	DESIGN UNITS	THIRD ANGLE PROJECTION
	INCH	
TITLE		
HOUSING CONNECTOR		
10 CKT		
DRYER MOTOR APPLICATION		
MOLEX INCORPORATED		
DOCUMENT NO.	SD-42865-0001	SHEET NO.
		2 OF 2
THIS DRAWING CONTAINS INFORMATION THAT IS PROPRIETARY TO MOLEX INCORPORATED AND SHOULD NOT BE USED WITHOUT WRITTEN PERMISSION		